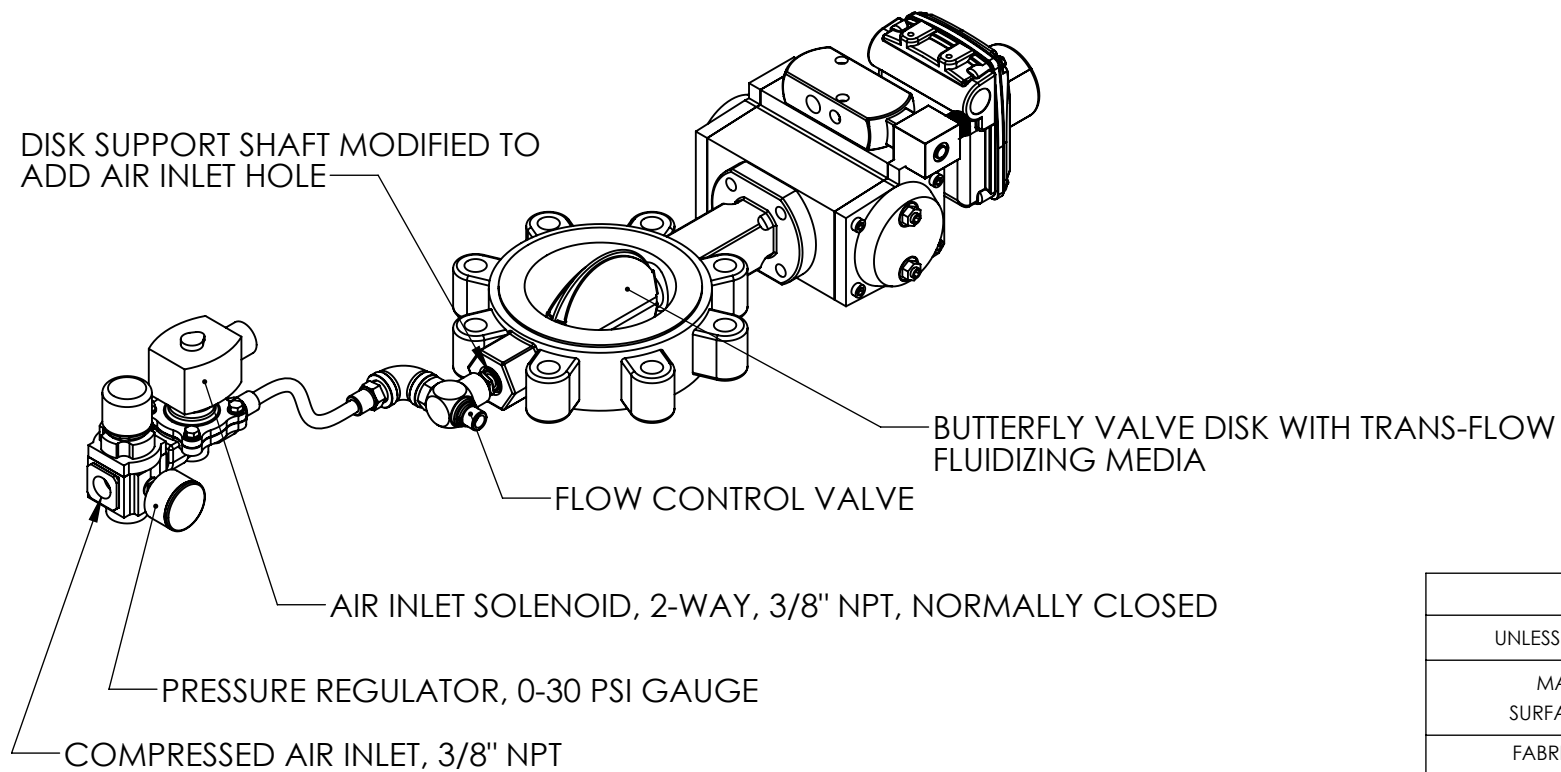
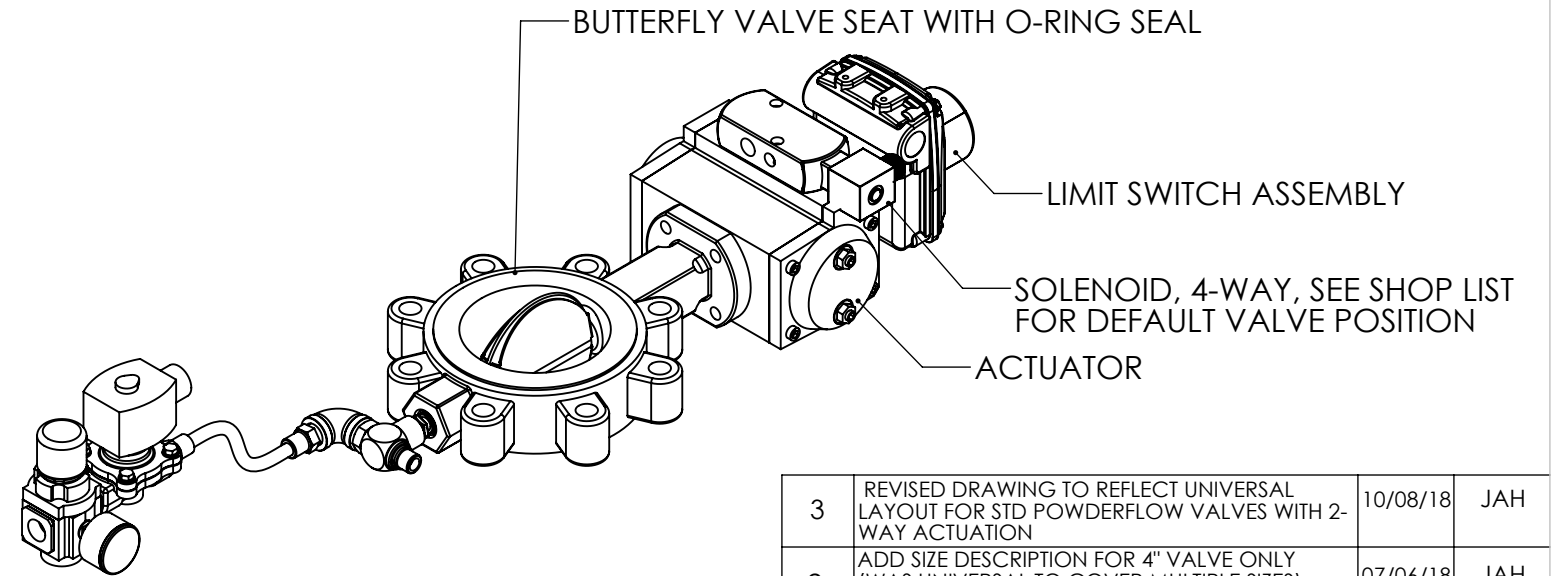


NOTES:

1. IMAGE SHOWS ALL STANDARD OPTIONS FOR 2-WAY VALVE CONFIGURATION. ACTUAL COMPONENTS MAY VARY BY JOB. SEE CUSTOMER DRAWING FOR ACTUAL COMPONENTS AND FEATURES INCLUDED



3	REVISED DRAWING TO REFLECT UNIVERSAL LAYOUT FOR STD POWDERFLOW VALVES WITH 2-WAY ACTUATION	10/08/18	JAH
2	ADD SIZE DESCRIPTION FOR 4" VALVE ONLY (WAS UNIVERSAL TO COVER MULTIPLE SIZES), ADDED SOLENOID	07/06/18	JAH
1	REVISED MODEL TO SHOW ACTUAL VALVE DRAWN TO SCALE WITH MODIFICATIONS MADE	01/08/17	JAH
REV. NO.	DESCRIPTION	DATE	BY

REVISIONS

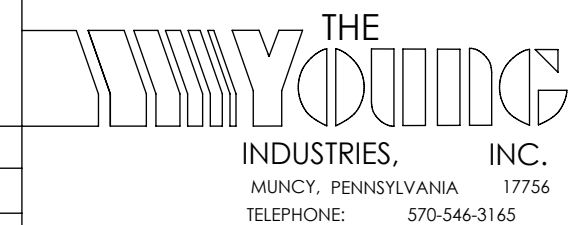
CUSTOMER:

CUSTOMER NAME:

YOUNG JOB NUMBER:

TITLE

ASSY: STD PLUMBING ARRANGEMENT, POWDERFLOW VALVE WITH 2-WAY ACTUATION, TYP. ARRANGEMENT



DRAWN BY: JAH

DATE DRAWN: 09/21/16

CHECKED BY:

SCALE = 3:16

DRAWING NUMBER

B-20530-00

SHEET:

1 OF 1

REV:

3

GENERAL TOLERANCES			
UNLESS OTHERWISE SPECIFIED THE FOLLOWING SHALL APPLY			
MACHINING - .XX=	.02	.XXX=	.005
ANGLE=	.50°		
SURFACE ROUGHNESS HEIGHT 63 MICROINCHES OR LESS			
FABRICATION - UNDER 6	6 TO 24	24 TO 60	OVER 60
± .06	± .12	± .19	± .25
UNLESS OTHERWISE SPECIFIED DIMENSIONS ARE IN INCHES			