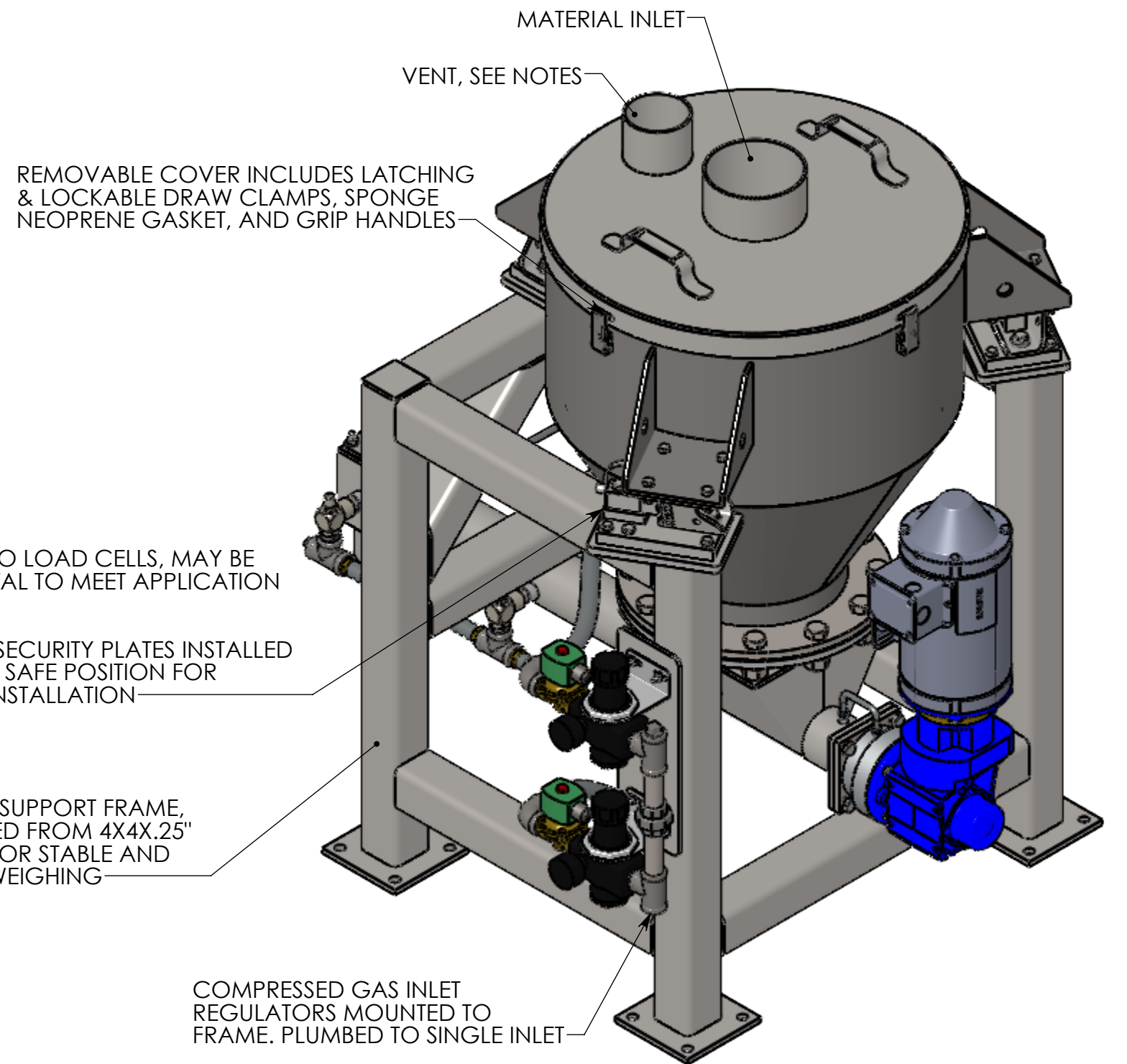


HOPPER (AH) Ø	CAPACITY (CU. FT.)	BH	CH	DH	EH	FH	GH	HH
18"	1.0	10.32	18.88	6.00	2.00	9.00	30.00	24.50
	2.0	18.32	26.88					
	3.0	22.32	30.88					
24"	3.0	14.32	28.09	11.50	34.00	30.00		
	6.0	26.32	40.00					

FEEDER SIZE (AF)	CAPACITY (CU. FT./HR) @ 100% FILL	BF STANDARD 18" Ø OR 24" Ø	BF AVAIL. RANGE 18" Ø HOPPERS	BF AVAIL. RANGE 24" Ø HOPPERS	CF	DF	EF	EFA	FF	GF
1.00	.08 - 4.0	18.00	18.00 - 24.00	18.00 - 24.00	4.00	4.00	5.00		4.81	13.00
1.50	0.7 - 15	18.00	18.00 - 24.00	18.00 - 24.00	4.00	4.00	5.00	9.50	4.81	13.00
2.00	1.6 - 35	24.00 - 36.00	24.00 - 60.00	24.00 - 60.00	4.00	4.00	5.00		4.81	13.00
3.00	5.7 - 120	24.00 - 36.00	24.00 - 60.00	24.00 - 60.00	5.50	6.00	5.00	10.75	5.56	13.00
4.00	14 - 290	24.00 - 36.00	24.00 - 48.00	24.00 - 48.00	5.50	6.00	5.00		5.56	13.00
5.00	27 - 550	24.00 - 36.00	*US*	24.00 - 48.00	7.00	8.00	8.00	13.0	7.31	16.00
6.00	34 - 700	24.00 - 36.00	*US*	24.00 - 48.00	7.00	8.00	8.00		7.31	16.00

NOTES:
 1. *US* = UNDERSIZED. THIS INDICATES THAT THE HOPPER VOLUME IS TOO SMALL TO BE PRACTICAL FOR USE WITH LARGER SCREW SIZE
 2. TUBE LENGTH RANGE "BF" IS DETERMINED BY CENTER OF MASS IN RELATION TO SCALE. FOR OPTIMAL PERFORMANCE, TUBE LENGTH SHOULD BE LIMITED TO "STANDARD" RANGE



REMOVABLE COVER INCLUDES LATCHING & LOCKABLE DRAW CLAMPS, SPONGE NEOPRENE GASKET, AND GRIP HANDLES

(3) METTLER TOLEDO LOAD CELLS, MAY BE ANALOG OR DIGITAL TO MEET APPLICATION REQUIREMENTS.

SCALE SHIPS WITH SECURITY PLATES INSTALLED TO LOCK SCALE IN SAFE POSITION FOR TRANSPORT AND INSTALLATION

HEAVY DUTY SUPPORT FRAME, CONSTRUCTED FROM 4X4X.25" SQ. TUBING FOR STABLE AND ACCURATE WEIGHING

COMPRESSED GAS INLET REGULATORS MOUNTED TO FRAME. PLUMBED TO SINGLE INLET

REMOVABLE COVER, MAY BE VENTED OR UNVENTED DEPENDING ON APPLICATION REQUIREMENTS. CONSULT FACTORY FOR APPLICATION REQUIREMENTS

****IMPROPER VENTING WILL HAVE A NEGATIVE EFFECT ON PERFORMANCE****

NOTES:
STINGER SCREW FEEDER
 STANDARD MATERIALS OF CONSTRUCTION ARE: 304 S/S HOUSING WITH 316 S/S FLUIDIZING MEDIA, 303 S/S AUGER, UHMW SHAFT SEAL, ZINC PLATED C/S HARDWARE

AUGER
 AVAILABLE MATERIALS OF CONSTRUCTIONS
 • POLYETHYLENE FLIGHTING WITH STAINLESS STEEL HEX SHAFT
 • MACHINED PLASTICS (MATERIAL OF CONSTRUCTION IS APPLICATION DEPENDANT)
 • FABRICATED OR MACHINED CARBON STEEL
 • FABRICATED OR MACHINED 303 STAINLESS STEEL
 • FABRICATED OR MACHINED 316 STAINLESS STEEL

FEED HOPPER
 • MATERIAL OF CONSTRUCTION EITHER PAINTED CARBON STEEL, 304 S/S OR 316 S/S

SUPPORT FRAME
 • WELDED STEEL CONSTRUCTION
 • AVAILABLE IN EITHER PAINTED CARBON STEEL OR STAINLESS STEEL

WEIGH SCALE
 • REQUIRED FOR GRAVIMETRIC RATE OR BATCH APPLICATIONS
 • CONSISTS OF (3) METTLER TOLEDO WEIGH MODULES
 • LOAD CELLS MAY BE EITHER
 • DIGITAL TO MEET HIGH ACCURACY REQUIREMENTS
 • ANALOG WHEN HIGH ACCURACY IS NOT REQUIRED
 NOTE: ULTRA-PRECISION SCALES ARE AVAILABLE TO MEET THE MOST DEMANDING APPLICATION REQUIREMENTS. CONTACT YOUNG INDUSTRIES FOR MORE INFO.

DRIVE ASSY
 - MOTOR:
 - STANDARD VOLTAGE: 3PH/230V/460V/60HZ
 - OPTIONS INCLUDE:
 • EXPLOSION PROOF MOTOR
 • 90V OR 180V DC MOTOR

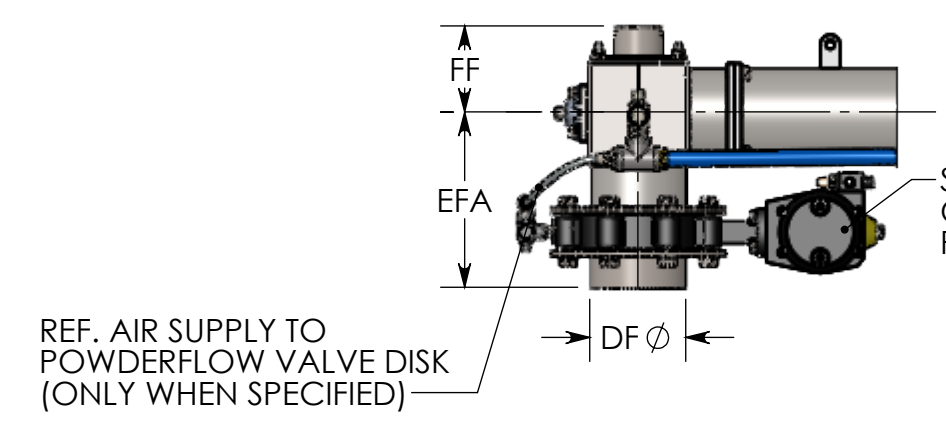
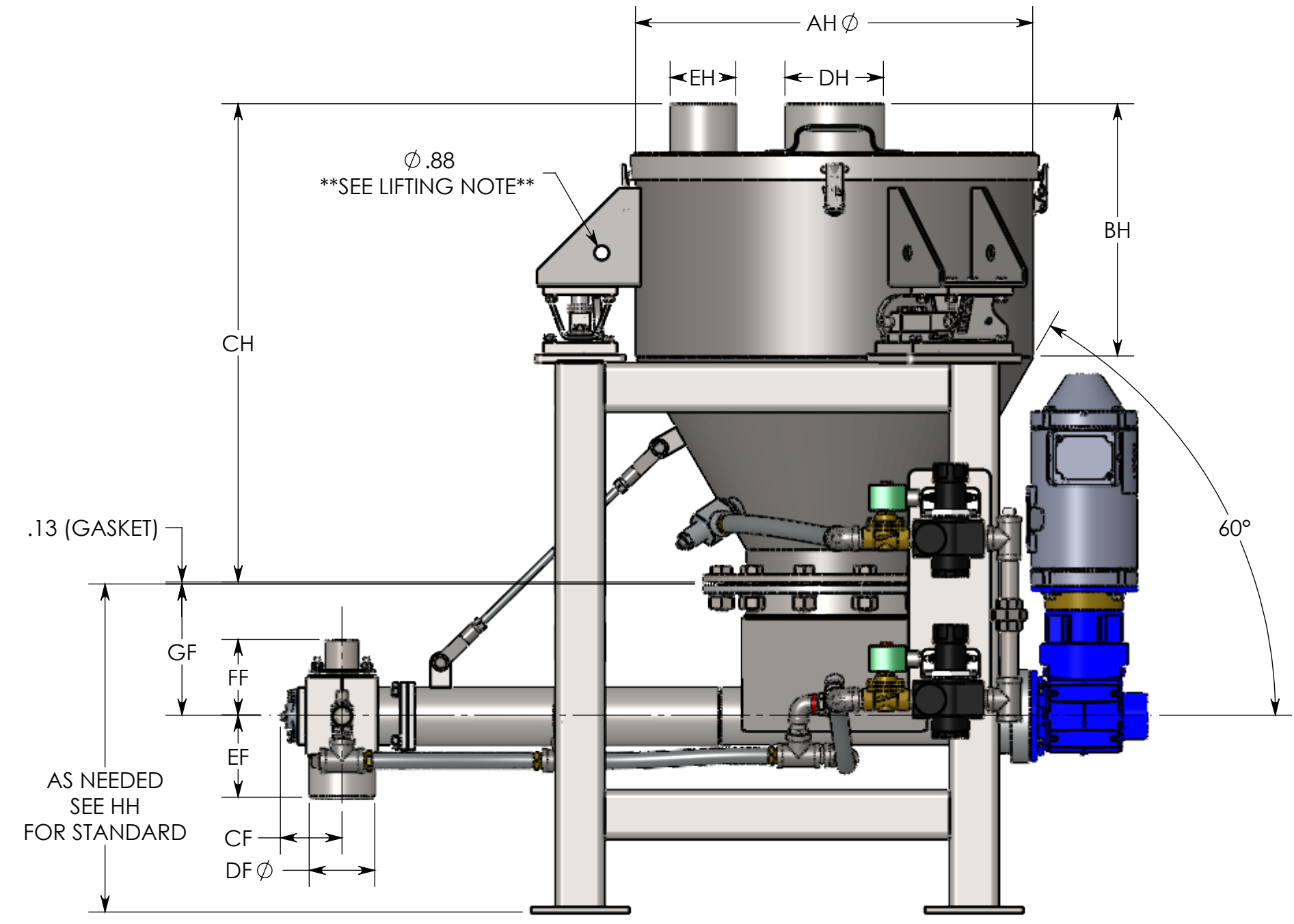
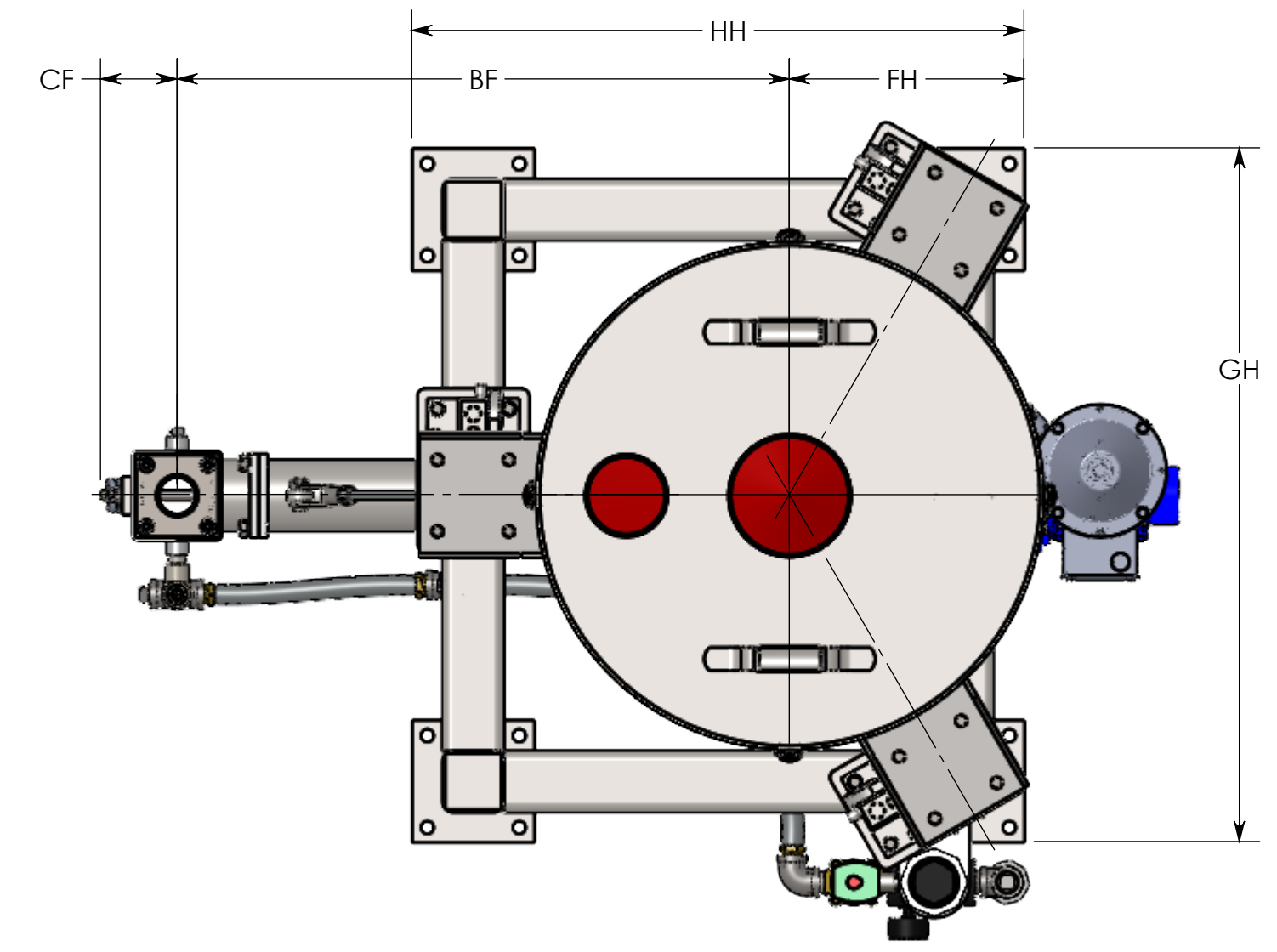
- REDUCER:
 - STANDARD: NORD 'SK' SERIES HELICAL BEVEL DESIGN WITH CAST ALUMINUM HOUSING, NEMA MOTOR MOUNT, AND KEYLESS, SHRINK SHAFT FOR EASY AUGER REMOVAL. REDUCER SIZED FOR 24/7 OPERATION AT 60 HZ OR MOMENTARY BATCH APPLICATIONS WITH MAX SPEED RANGE UP TO 120HZ

CONTROLS
 SEE YOUNG INDUSTRIES CONTROLS BULLETINS FOR AVAILABLE OPTIONS

CUSTOM ORDERS
 CUSTOM DESIGNS WITH FEATURES AND DIMENSION OTHER THAN THOSE SPECIFIED ARE AVAILABLE. CONTACT YOUNG INDUSTRIES OR YOUR LOCAL YOUNG INDUSTRIES REPRESENTATIVE FOR MORE INFORMATION

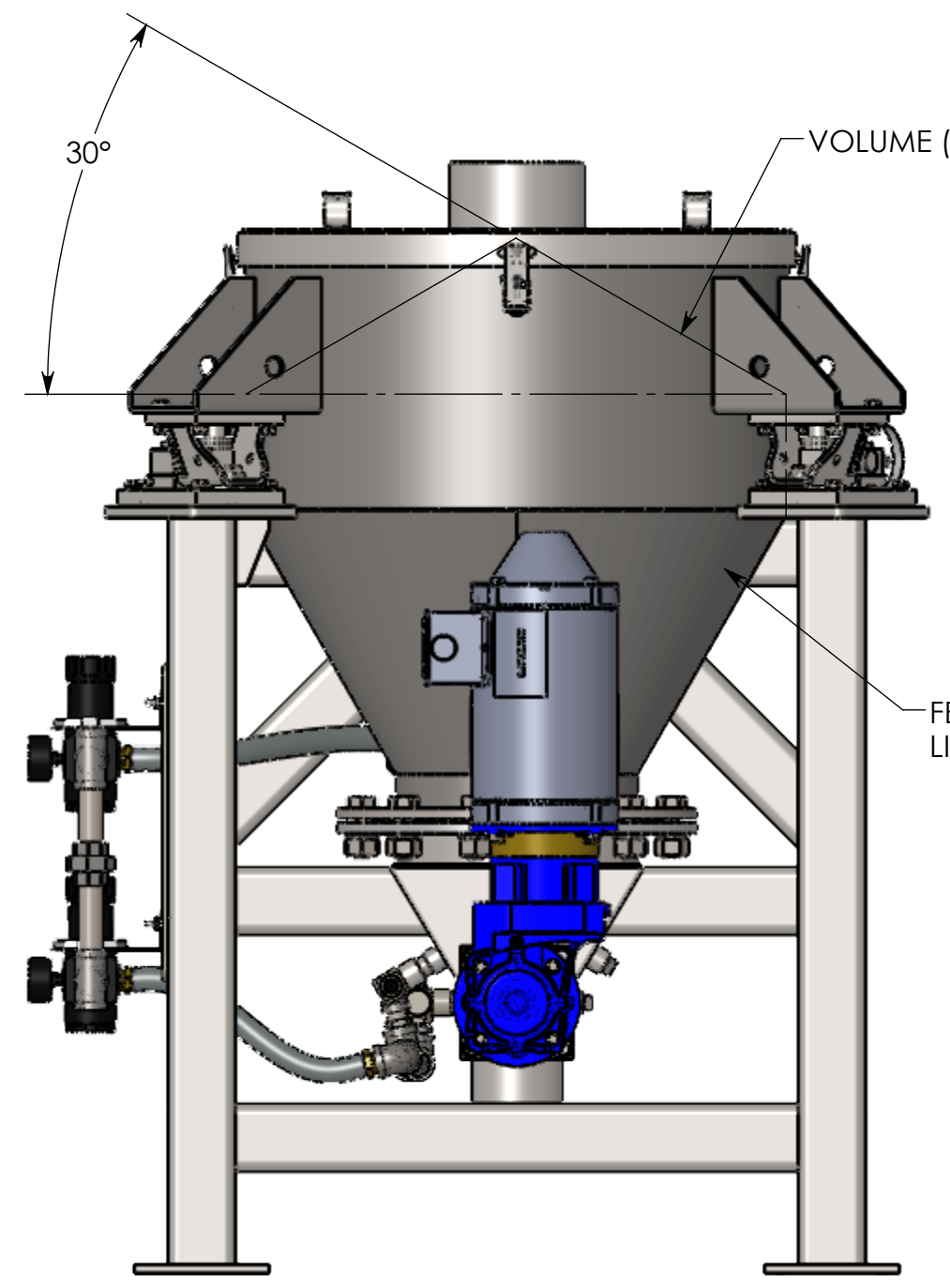
* THIS DRAWING SHOULD BE USED FOR REFERENCE ONLY AND SHOULD NOT BE USED FOR BUILDING PURPOSES. ALL DETAILS ARE SUBJECT TO CHANGE WITHOUT NOTICE.

****LIFTINGNOTE****
 WHEN LIFTING UNIT FROM HOPPER LUGS, "SAFELock" LOAD CELL BLOCKING PLATES MUST BE INSTALLED OR PERMANENT SCALE DAMAGE WILL OCCUR. PLATES ARE USED TO LOCK LOAD CELL IN PLACE DURING SHIPPING, INSTALLATION OR WHILE MOVING UNIT.



REF. AIR SUPPLY TO POWDERFLOW VALVE DISK (ONLY WHEN SPECIFIED)

DISCHARGE SHOWN WITH OPTIONAL FLANGED CONNECTION AND BUTTERFLY VALVE. SEE NOTES



FEED HOPPER WITH TRANSFLOW LINED DISCHARGE CONE

GENERAL TOLERANCES	
UNLESS OTHERWISE SPECIFIED THE FOLLOWING SHALL APPLY	
MACHINING - .XX= .02 .XXX= .005 ANGLE= .50°	
SURFACE ROUGHNESS HEIGHT 63 MICRONS OR LESS	
FABRICATION - UNDER 6 6 TO 24 24 TO 60 OVER 60	
± .06 ± .12 ± .19 ± .25	
UNLESS OTHERWISE SPECIFIED DIMENSIONS ARE IN INCHES	

REV. NO.	DESCRIPTION	DATE	BY
REVISIONS			
CUSTOMER			
CUST. NO.			
YOUNG ORDER NO.			
TITLE ASSY: MODEL 2 STINGER SCREW FEEDER, 18" TO 24" DIA HOPPERS			
YOUNG INDUSTRIES, INC. MUNCY, PENNSYLVANIA 17756 TELEPHONE: 570-546-3165			
DRAWN BY: JAH	DATE DRAWN: 04/13/16		
CHECKED BY: JAH	SCALE: 1:8		
DRAWING NUMBER	D-20567-34	REV:	00