

QUICK CLEAN ROTARY VALVE

WWW.YOUNGINDS.COM

Now Available

Rotary Valve Calculator App



STANDARD FEATURES:

- ▶ Heavy Duty construction with 15 PSIG design
- ▶ Cast or fabricated construction of iron, carbon steel or 300 series stainless steel
- ▶ Round or square flanged connections
- ▶ Standard design/operating temperature up to 250 F
- ▶ Precision outboard bearings
- ▶ Rotor is completely removable from the valve
- ▶ Shaft seal attached to the housing Model QC
- ▶ Shaft seal attached to the rotor Model CA
- ▶ Open access to valve interior
- ▶ Removable access door with hand knobs

WHEN FREQUENT CLEANING IS REQUIRED.

Young Industries Quick Clean Rotary Valves offer a unique cantilevered design having two bearings on one end of the rotor shaft. The rotor itself is cantilevered from the bearings on the shaft and is completely removable from the valve on the opposite end of the housing. The housing is provided with a removable cover for easy access to the valve interior and removal of the rotor. Young Industries Quick Clean Cantilevered design allows complete access to the valve interior for cleaning.



The Quick Clean Rotary Valve is available as the Model QC and Model CA styles, constructed using Young Industries Model LH or HC Drop-thru Rotary Valve housings, or the Model SE Side Entry Valve housings.

**ADVANCED
TECHNOLOGY
PROVEN DESIGN**

QUICK CLEAN ROTARY VALVE

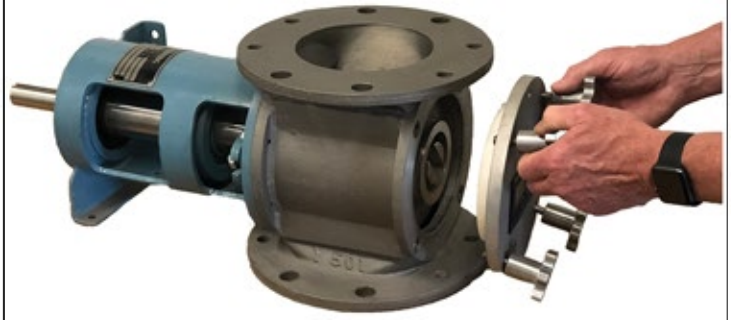
MODEL QC

The Model QC Rotary Valve is designed for easy removal of the rotor while the shaft seal is retained on the Rotary Valve Housing.



Access Door For Rotor Removal

A.



Access Door Removed

B.



**Rotor Slides Off Shaft
For Easy Cleaning**

C.



**Shaft Seal Is Retained
On The Valve Housing**

D.

MODEL QC

OPTIONAL FEATURES:

- Interior Polish or electro-polish per application requirement
- Hinged access cover
- For larger size valves, removable rotor davit/ puller available
- Transflow® fluidized rotor for handling the most cohesive powders
- Rotor tips can be beveled
- Replaceable rotor tips of flexible or abrasion resistant materials
- Roller chain drive with parallel shaft TEFC gearmotor is standard with explosion proof motors of any specified manufacturer available
- Exterior painting and coatings to meet customer specifications when needed



16 PAINTER STREET, MUNCY, PA 17756

(800) 546-3165 | WWW.YOUNGINDS.COM

QUICK CLEAN ROTARY VALVE

MODEL CA

The Model CA Rotary Valve uses a chevron shaft seal assembly which is attached to the rotor. This feature allows the shaft seal of the valve to be removed with the rotor for maintenance or cleaning as needed. The Model CA Rotary Valve is used for the most sanitary applications where no tools are needed for complete dis-assembly of product contact parts.



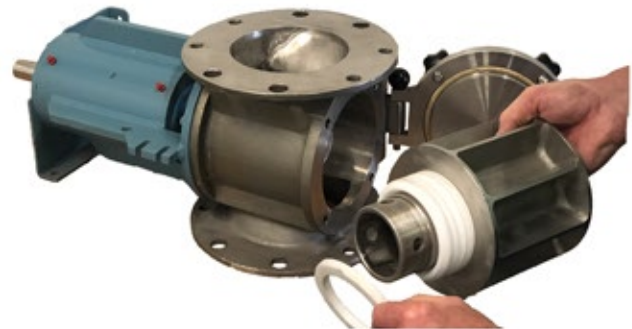
Hinged Access Door For Rotor Removal
A.



**Pin Removed From Rotor Shaft
To Allow Rotor And Shaft Seal Removal**
B.



Rotor Slides Off Shaft
C.



**Shaft Seal Is Removed With
Rotor For Easy Cleaning of All
Product Contact Surfaces**
D.

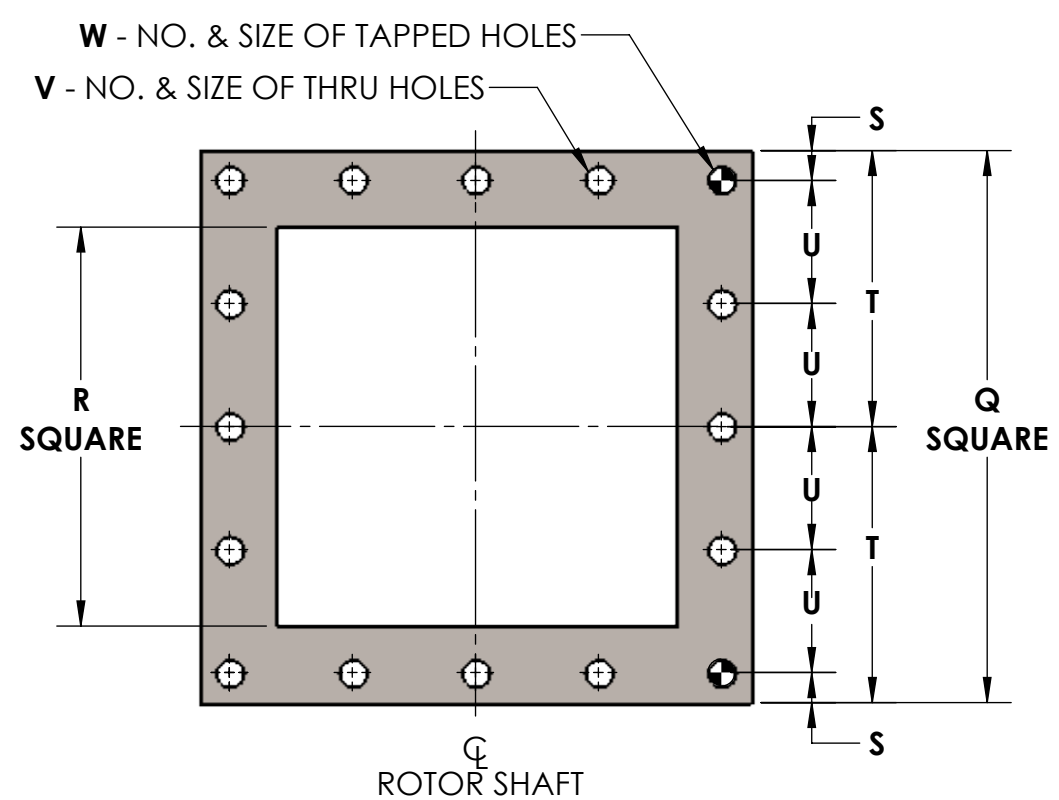
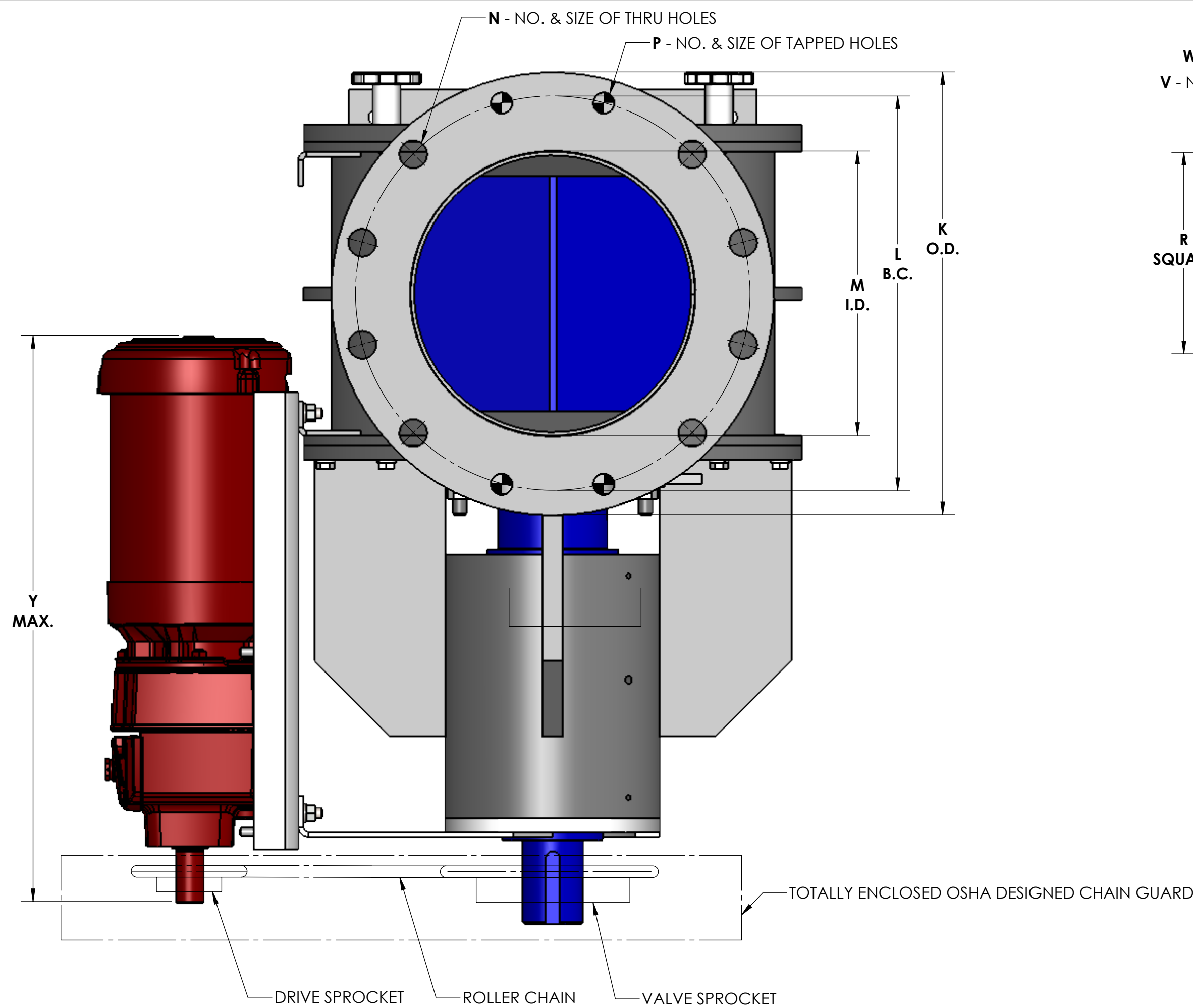
MODEL CA OPTIONAL FEATURES:

- Interior Polish or electro-polish per application requirement
- Hinged access cover
- For larger size valves, removable rotor davit/ puller available
- Transflow® fluidized rotor for handling the most cohesive powders
- Rotor tips can be beveled
- Replaceable rotor tips of flexible or abrasion resistant materials
- Roller chain drive with parallel shaft TEFC gearmotor is standard with explosion proof motors of any specified manufacturer available
- Exterior painting and coatings to meet customer specifications when needed

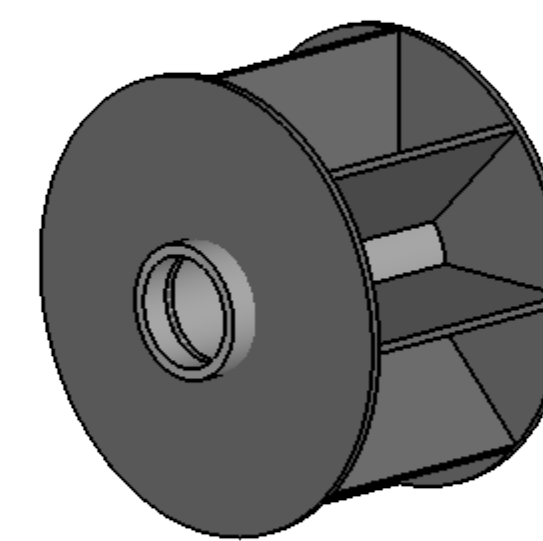


16 PAINTER STREET, MUNCY, PA 17756

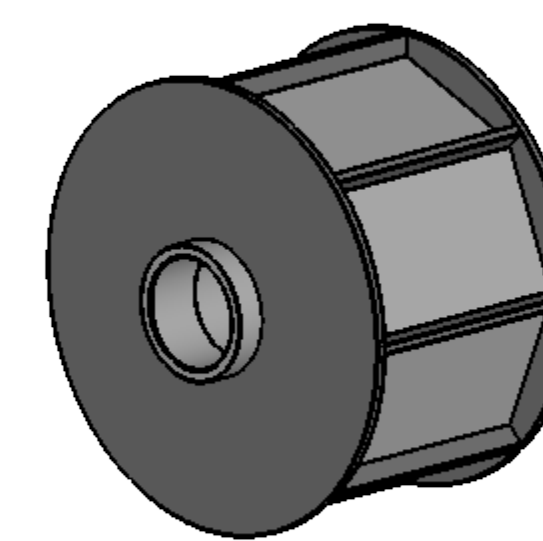
(800) 546-3165 | WWW.YOUNGINDS.COM



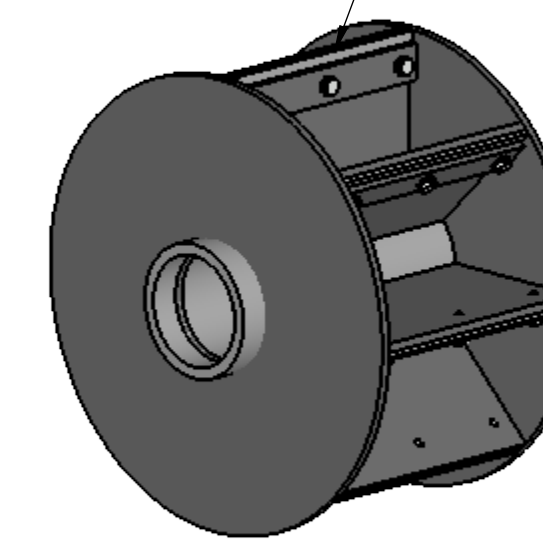
SQUARE FLANGE DETAIL
BOTTOM VIEW OUTLET
(SEE NOTE # 2)



TYPE 'AS' ROTOR

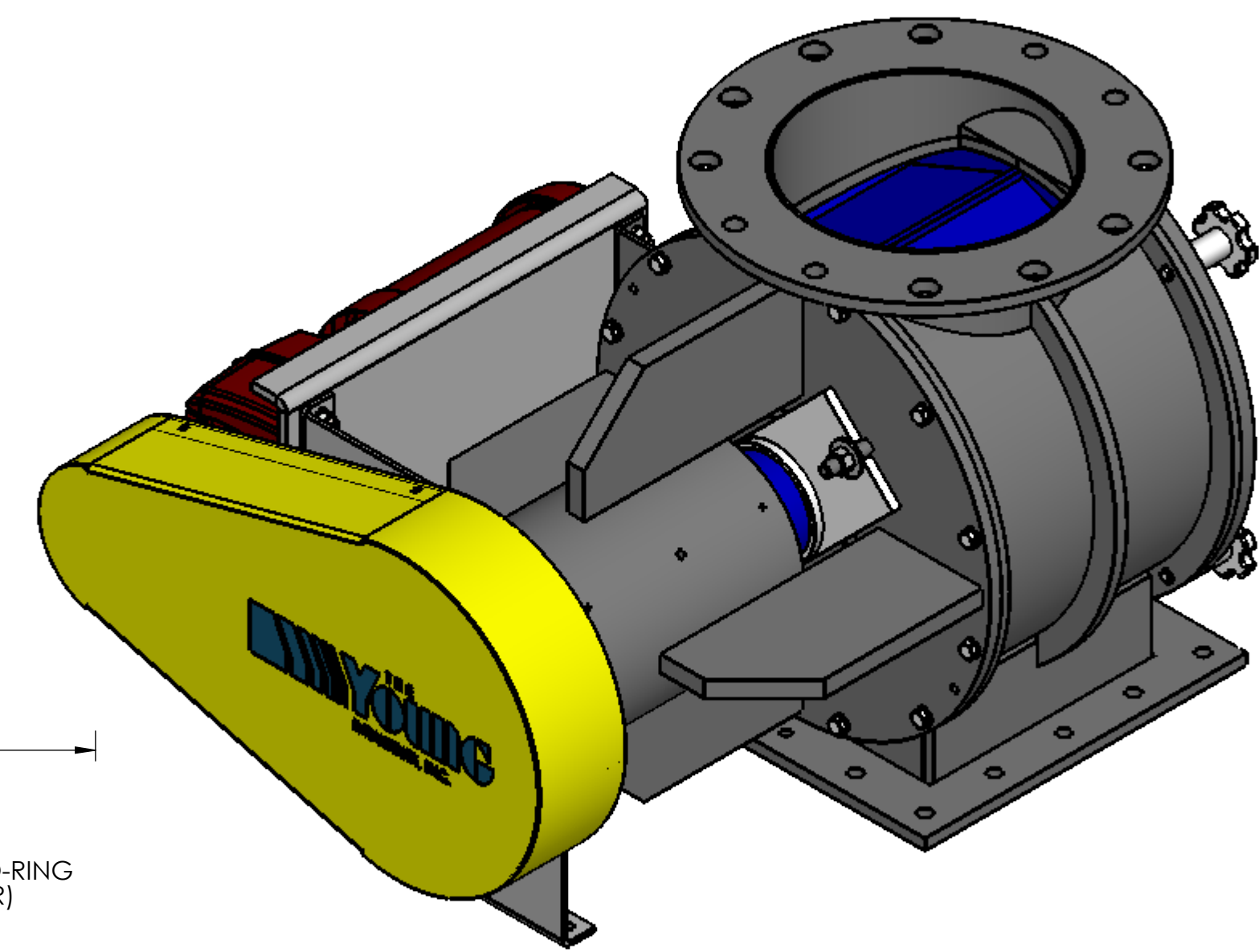
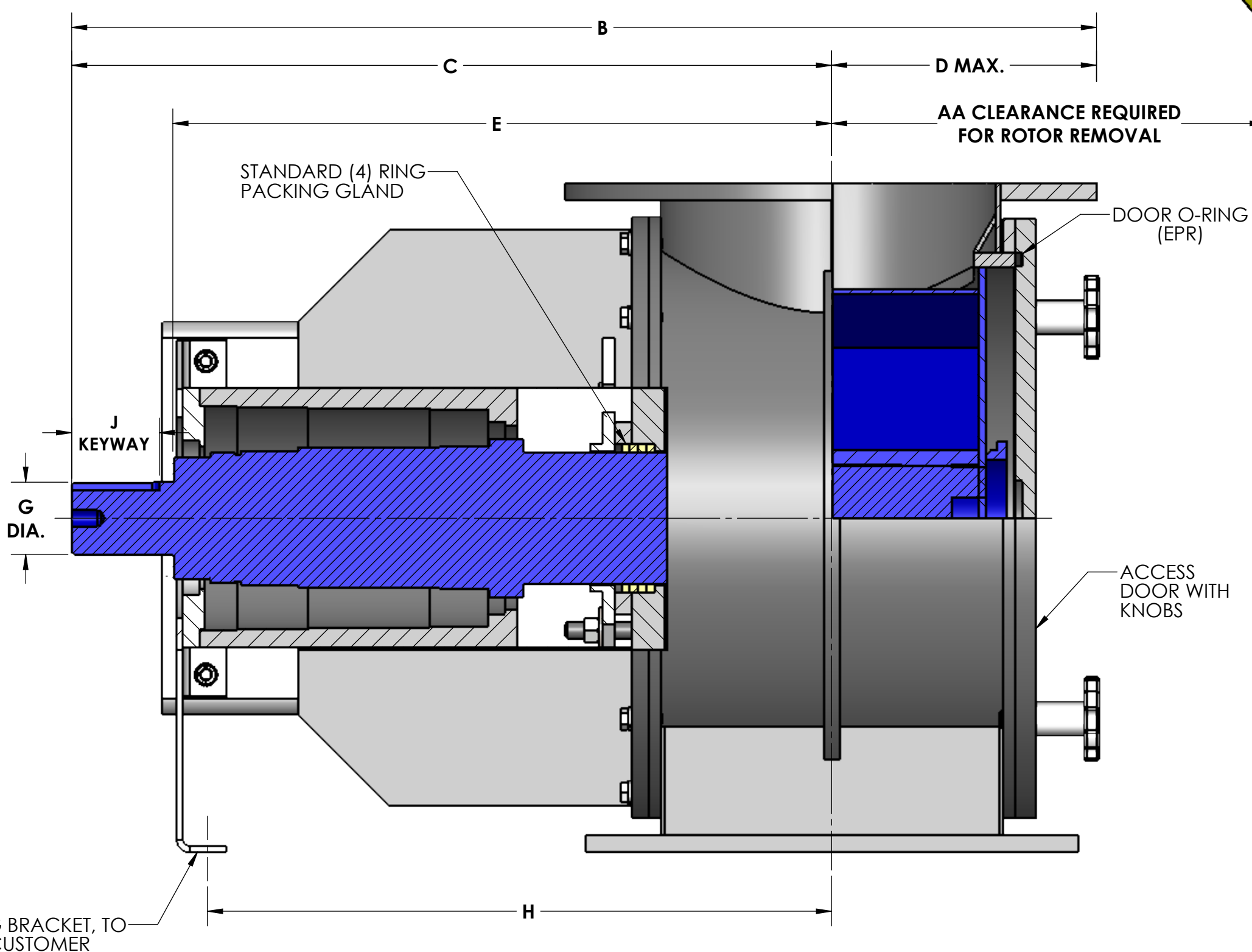
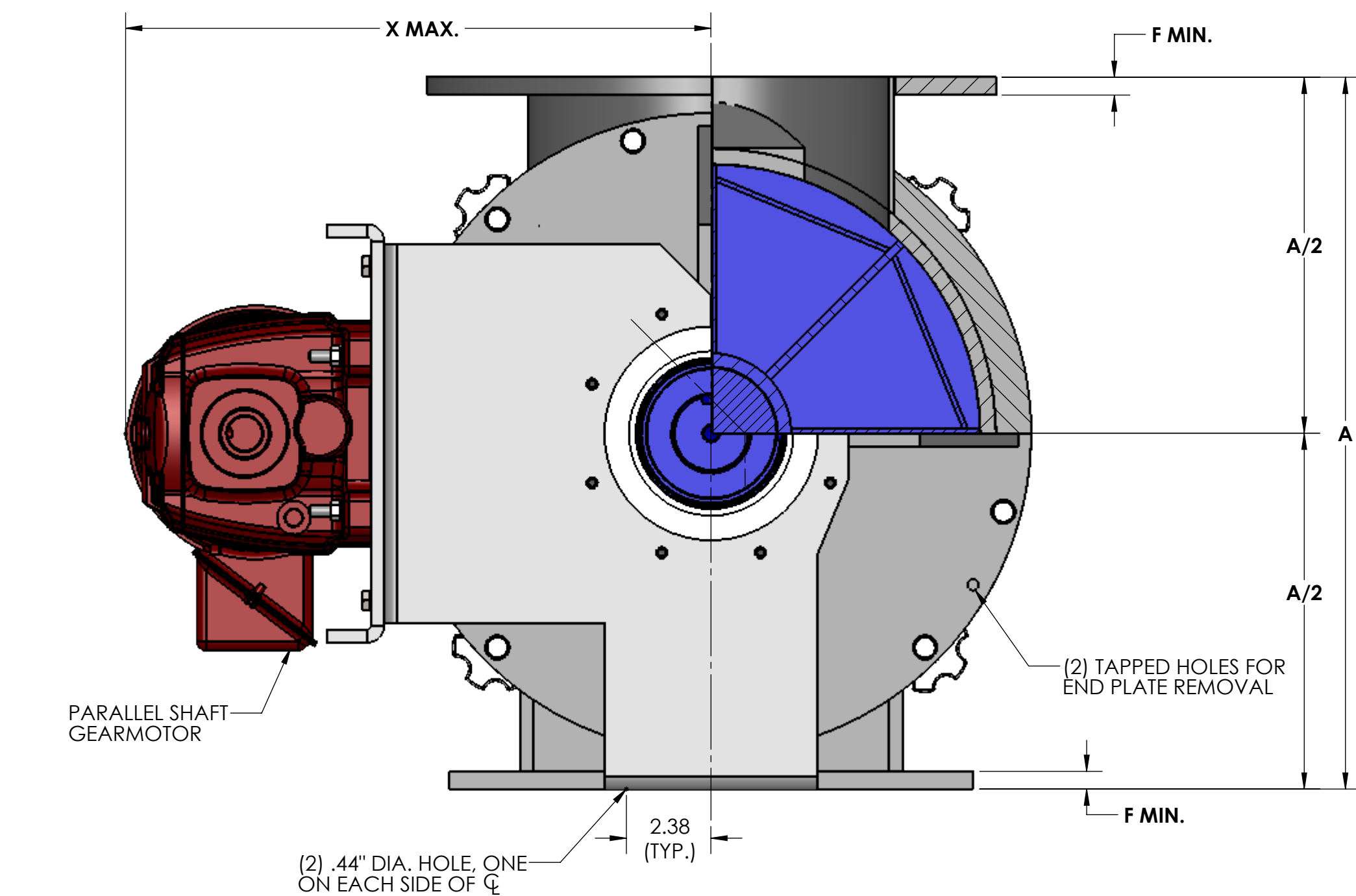


TYPE 'BS' ROTOR



TYPE 'DS' ROTOR

ROTOR SIZES: 4" - 12" - 8 VANES
14" - 24" - 12 VANES



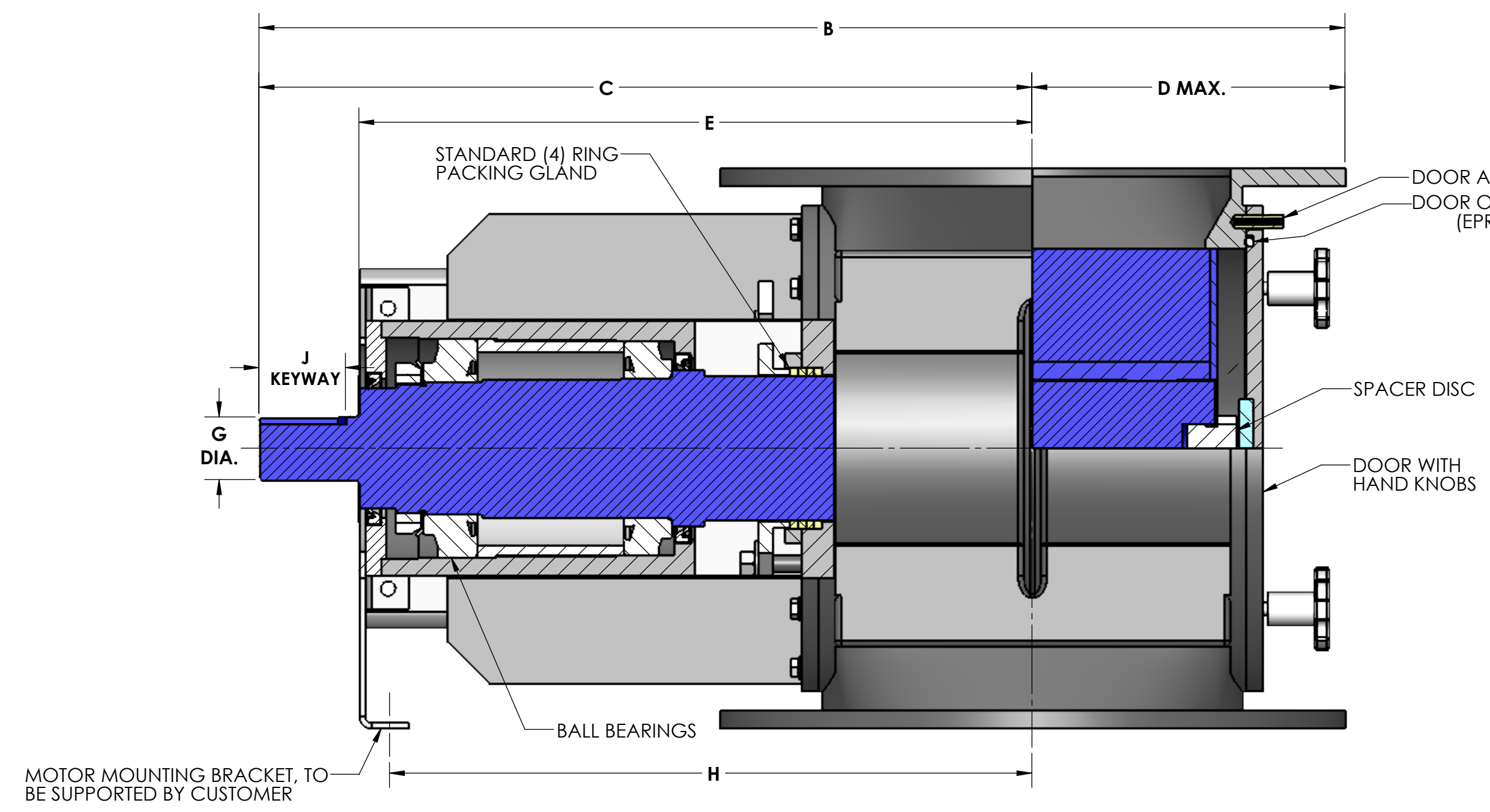
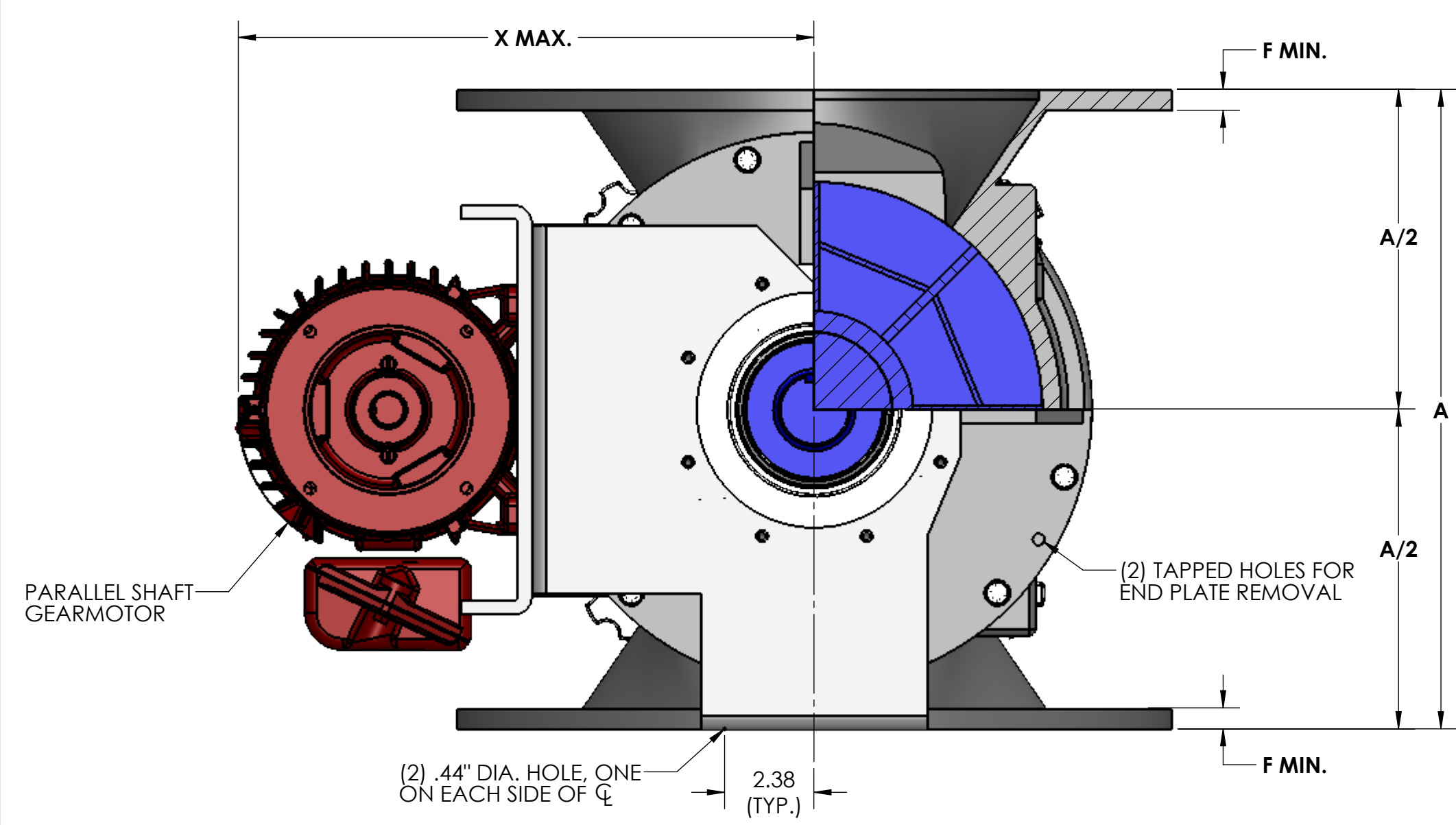
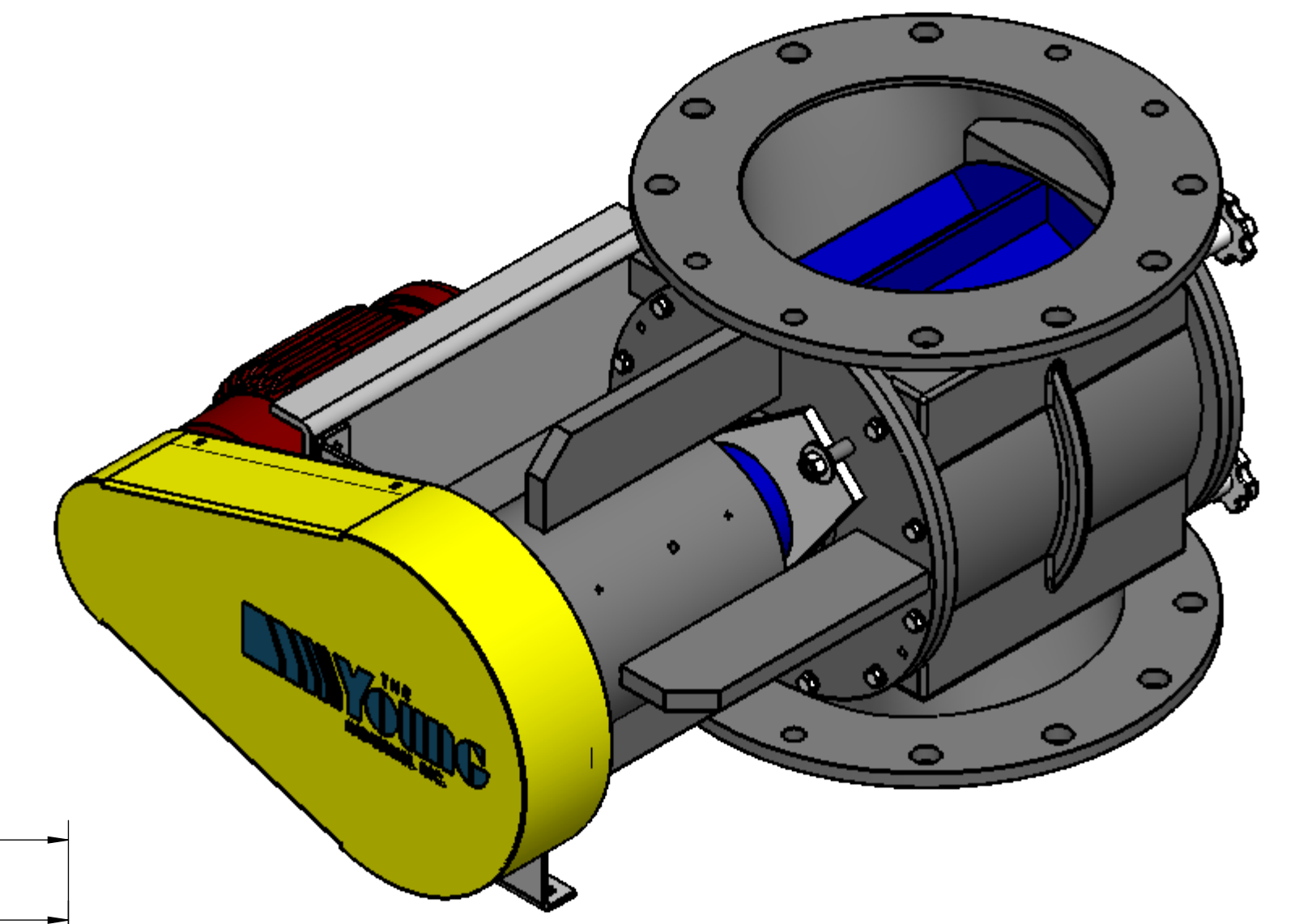
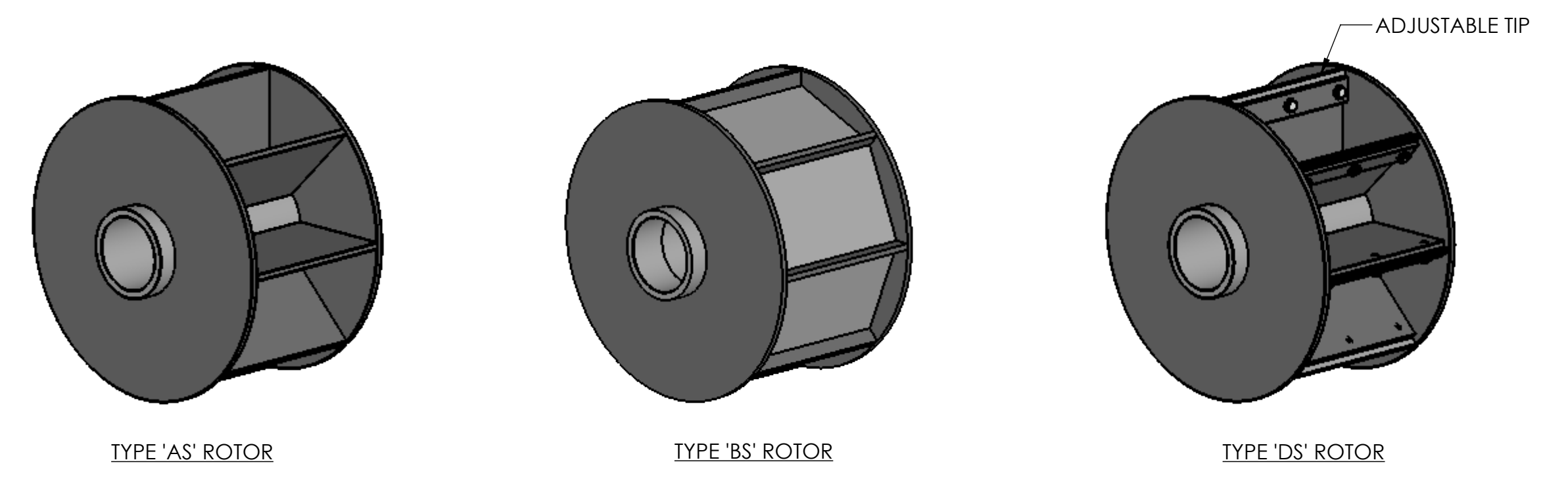
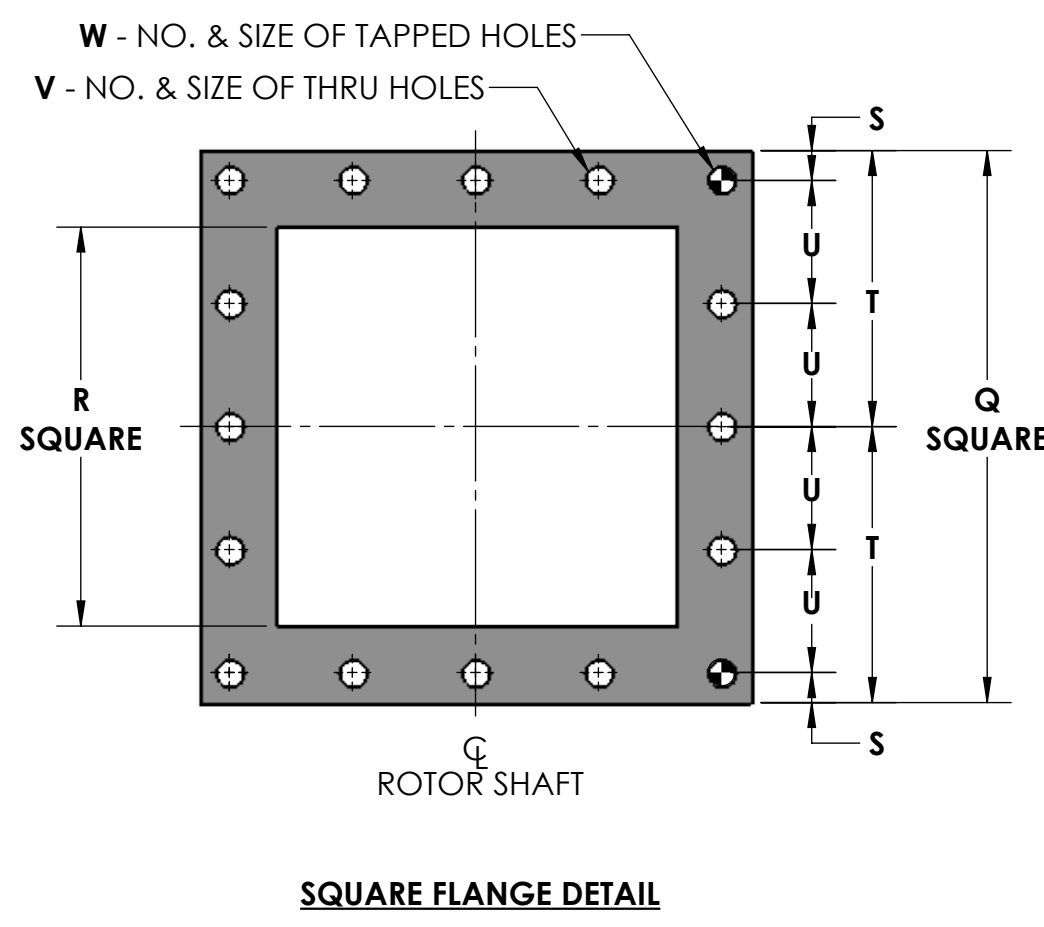
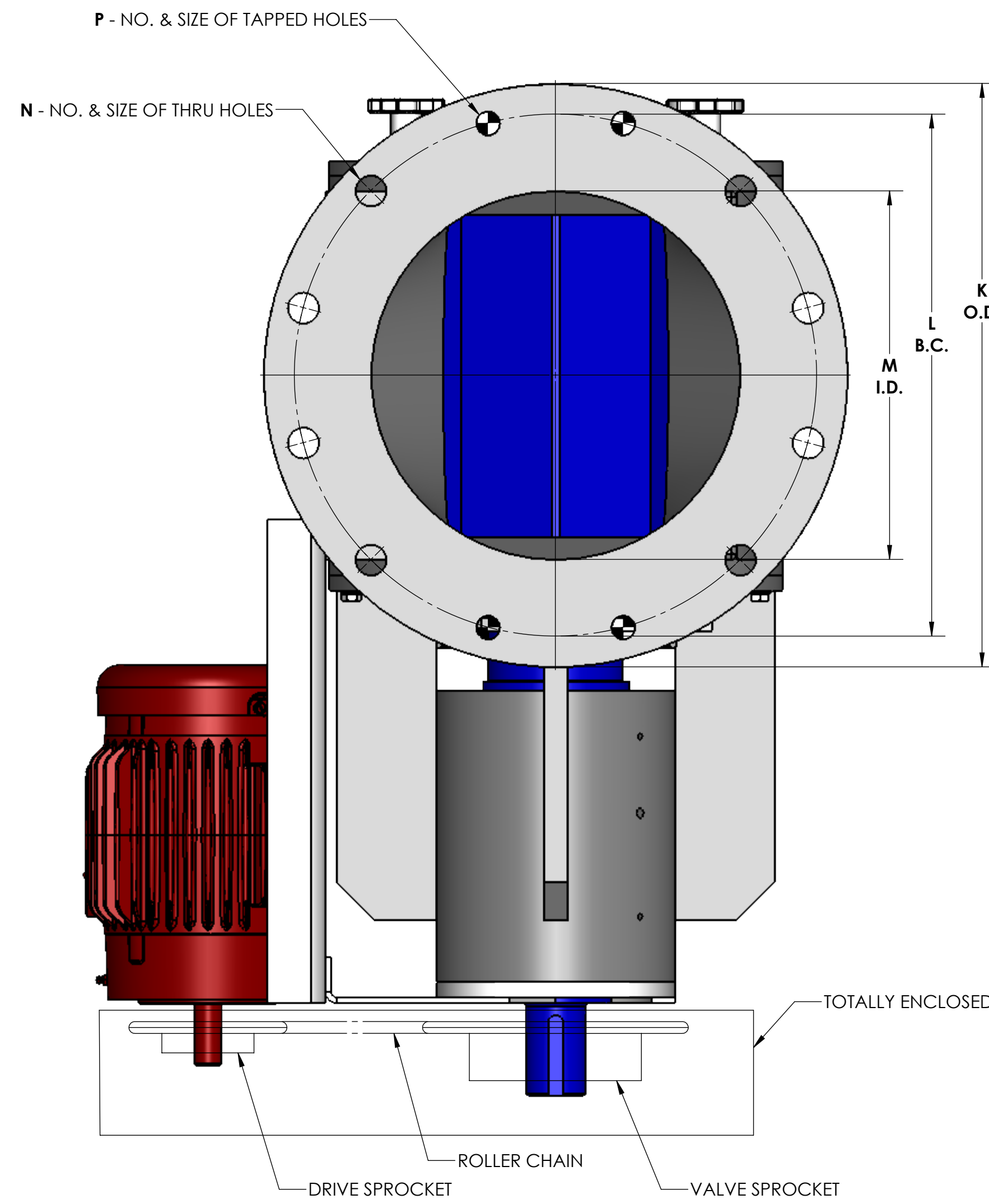
- NOTES:
1. VALVE HOUSINGS ARE CAST OF IRON, ALUMINUM, STEEL OR STAINLESS STEEL; OR FABRICATED OF STEEL OR STAINLESS STEEL. ALL ROTORS ARE FABRICATED OF STEEL OR STAINLESS STEEL.
 2. VALVE HOUSINGS ARE AVAILABLE WITH ANY COMBINATION OF SQUARE OR ROUND INLET AND OUTLET. USE ROUND OUTLET WITH ANY FREE FLOWING MATERIAL. ROUND FLANGES MATCH 150# ANSI DRILLING.
 3. HOUSINGS ARE DESIGNED FOR 15 PSIG @ 250 DEGREES F.
 4. VALVES ARE DESIGNED FOR 15 PSIG DIFFERENTIAL PRESSURE ACROSS THE ROTOR.
 5. DOORS ON SIZE 12 & 14 VALVES ARE HINGED.

SIZE	ROTOR DIA. x LGTH	ROTOR CAP. CU.FT./REV.				STD. RPM	STD. HP	A	B	C	D	E	F	G	H	J	K	L	M	N	P	Q	R	S	T	U	V	W	X	Y	AA	WEIGHT C/S	ROTOR WEIGHT	DOOR WEIGHT
4	6 x 3.50	.0391	.0274	.0129	.0399	38	1/2	10.00	20.81	16.31	4.50	13.06	.31	1.19	12.38	.25 x .12 x 2.62	9.00	7.50	4.00	(8).75	N/A	7.50	4.00	.62	3.12	-	(6).56	(2).50-13UNC-2B	14.94	20.38	12.31	255	20	10
5	8 x 4.50	.0964	.0642	.0440	.101	38	1/2	12.00	20.50	10.94	8.31	7.94	.44	1.44	14.00	.38 x .19 x 2.62	10.00	8.50	5.00	(8).88	(4).75-10UNC-2B	8.50	5.00	.62	3.62	-	(6).56	(2).50-13UNC-2B	15.94	20.38	14.50	300	25	16
6	10 x 5.50	.194	.124	.0795	.203	32	1/2	14.00	22.38	11.88	9.25	8.88	.44	1.94	15.19	.50 x .25 x 2.62	11.00	9.50	6.00	(8).88	(4).75-10UNC-2B	9.50	6.00	.62	4.12	-	(6).56	(2).50-13UNC-2B	17.00	20.38	17.06	325	30	23
8	12 x 7.25	.366	.214	.115	.389	32	3/4	17.00	24.38	12.88	10.25	9.88	.44	1.94	15.75	.50 x .25 x 2.62	13.50	11.75	8.00	(8).88	(4).75-10UNC-2B	11.50	8.00	.62	5.12	2.56	(14).56	(2).50-13UNC-2B	18.00	25.00	20.31	455	40	31
10	15 x 9.25	.762	.507	.154	.811	32	3/4	20.00	26.62	13.88	11.25	10.88	.44	2.19	17.19	.50 x .25 x 2.62	16.00	14.25	10.00	(12) 1.00	(4).88-9UNC-2B	14.75	10.00	1.00	6.38	3.19	(14).56	(2).50-13UNC-2B	19.62	20.38	24.75	585	75	45

SPECIFICATIONS ARE SUBJECT TO CHANGE WITHOUT NOTIFICATION

REV. NO.	DESCRIPTION	DATE	BY
REVISIONS			
CUSTOMER			
CUST. NO.			
YOUNG ORDER NO.			
TITLE			
YOUNG INDUSTRIES MODEL 'QC-HC' ROTARY VALVE, SIZE 4" - 14", CLASS 15 WITH PARALLEL SHAFT DRIVE, SHROUDED ROTOR STANDARD DIMENSION SHEET			
YOUNG INDUSTRIES, INC. HUNCY, PENNSYLVANIA 17756 TELEPHONE: 370-546-3165			
DRAWN BY: BMF		DATE DRAWN: 4/11/16	
CHECKED BY:		SCALE: 1:3.5	
DRAWING NUMBER		REV:	

S-4-7344

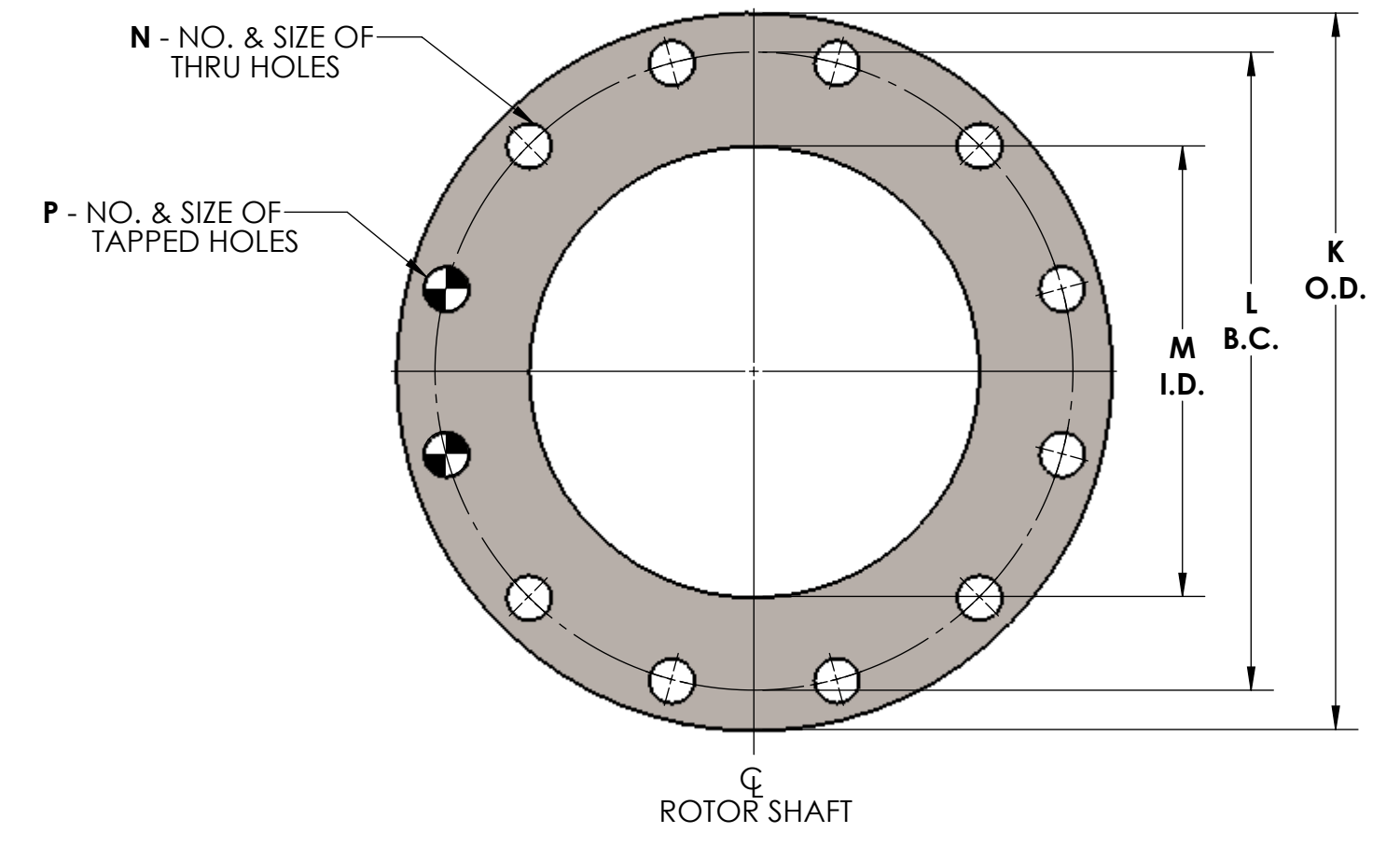
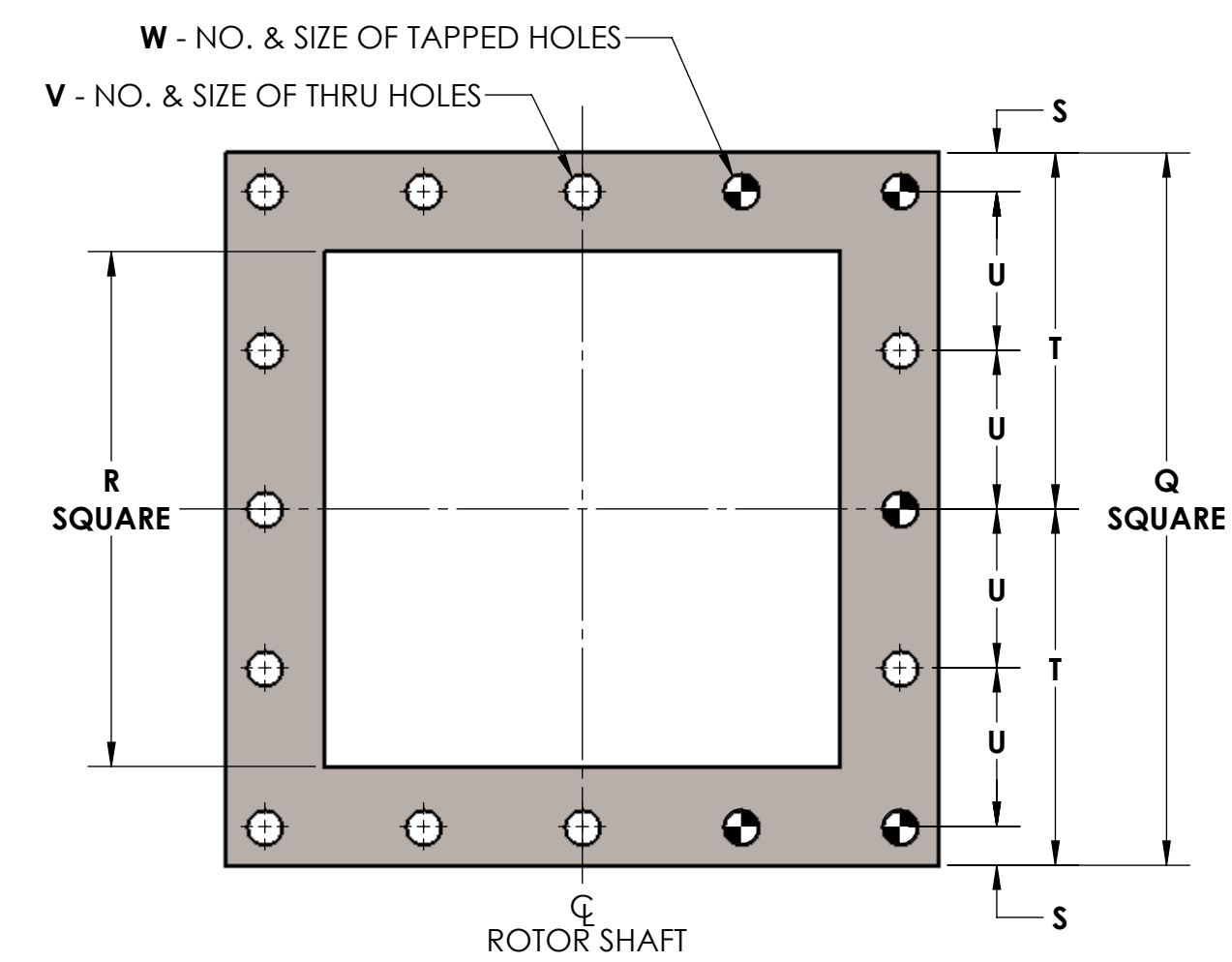
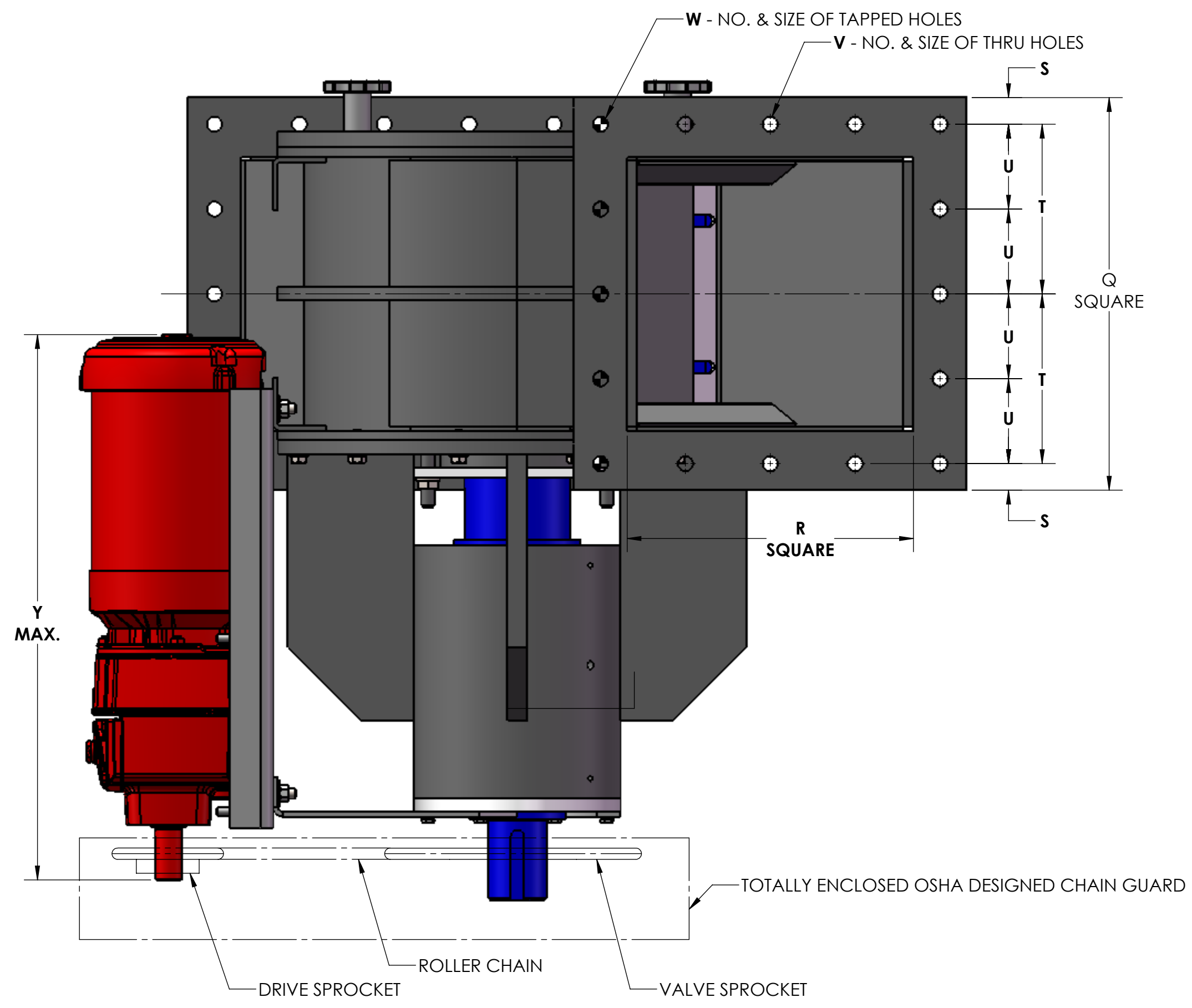


- NOTES:
1. VALVE HOUSINGS ARE CAST OF IRON, ALUMINUM, STEEL OR STAINLESS STEEL; OR FABRICATED OF STEEL OR STAINLESS STEEL. ALL ROTORS ARE FABRICATED OF STEEL, STAINLESS STEEL OR ALUMINUM.
 2. VALVE HOUSINGS ARE AVAILABLE WITH ANY COMBINATION OF SQUARE OR ROUND INLET AND OUTLET. USE ROUND OUTLET WITH ANY FREE FLOWING MATERIAL. ROUND FLANGES MATCH 150# ANSI DRILLING.
 3. VALVES HAVING A ROUND INLET OR OUTLET WITH HAVE CAST HOUSINGS.
 4. VALVES ARE DESIGNED FOR 15 PSIG INTERNAL & 5 PSIG DIFFERENTIAL PRESSURE @ 150 DEGREES F.

Size	ROTOR DIA x LENGTH	ROTOR CAP. CU. FT. / REV.				STD. RPM	STD. H.P.	A	B	C	D	E	F	G	H	J	K	L	M	N	P	Q	R	S	T	U	V	W	X	Y	WEIGHT C/S	ROTOR WEIGHT
		AS	BS	CS	DS																											
6	6 x 5.50	.0622	.0513	.0243	.0549	38	.50	10.00	24.50	19.00	5.50	16.00	.44	1.19	13.56	.25 x .12 x 2.62	11.00	9.50	6.00	(4) .88	(4) .75-10UNC-28	9.50	6.00	.62	4.12	-	(6) .56	(2) .50-13UNC-28	13.31	20.38	255	10
8	8 x 7.50	.155	.114	.078	.146	38	.50	12.00	27.00	20.25	6.75	17.62	.44	1.44	15.12	.38 x .19 x 2.62	13.50	11.75	8.00	(4) .88	(4) .75-10UNC-28	11.50	8.00	.62	5.12	2.56	(14) .56	(2) .50-13UNC-28	14.38	20.38	325	16
10	10 x 9.50	.323	.200	.124	.336	32	.50	14.00	30.19	22.19	8.00	18.69	.44	1.94	15.50	.50 x .25 x 2.62	16.00	14.25	10.00	(8) 1.00	(4) .88-9UNC-28	14.75	10.00	1.00	6.38	3.19	(14) .56	(2) .50-13UNC-28	15.38	20.38	400	25
12	12 x 11.25	.545	.315	.178	.598	32	.75	17.00	32.88	23.38	9.50	19.88	.56	1.94	16.69	.50 x .25 x 2.62	19.00	17.00	12.00	(8) 1.00	(4) .88-9UNC-28	16.75	12.00	1.00	7.38	3.69	(14) .56	(2) .50-13UNC-28	16.38	20.38	550	46
14	15 x 12.25	.762	.507	.195	.811	32	.75	20.00	35.06	24.56	10.50	21.06	.56	2.19	17.88	.50 x .25 x 2.62	21.00	18.75	13.00	(8) 1.12	(4) 1.00-8UNC-28	18.00	13.00	1.00	8.00	4.00	(14) .56	(2) .50-13UNC-28	18.00	20.38	700	72

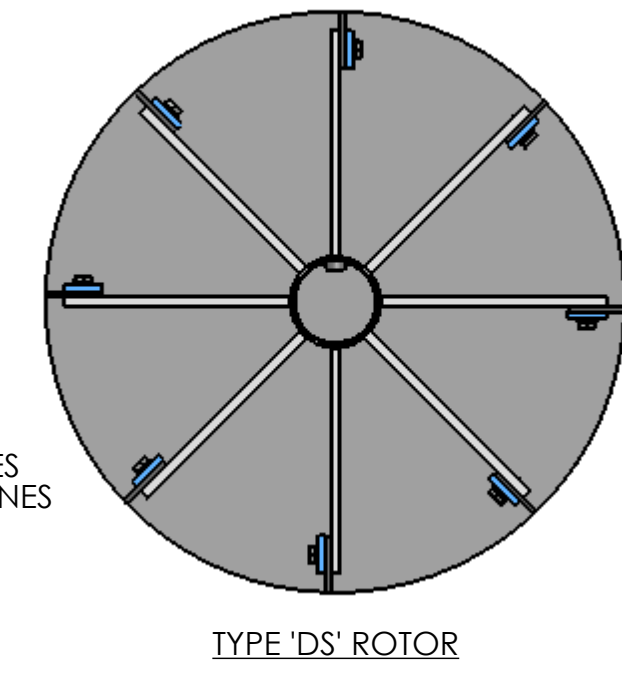
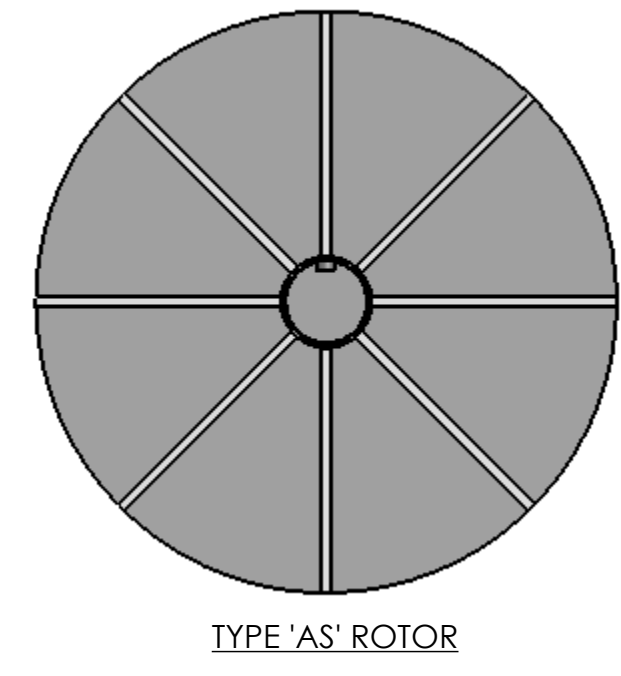
SPECIFICATIONS ARE SUBJECT TO CHANGE WITHOUT NOTIFICATION

REV. NO.	DESCRIPTION	DATE	BY
REVISIONS			
CUSTOMER			
CUST. NO.			
YOUNG ORDER NO.			
TITLE			
YOUNG INDUSTRIES MODEL 'QC-LH' ROTARY VALVE, SIZE 6" - 14", CLASS 15 WITH PARALLEL SHAFT DRIVE, SHROUDED ROTOR STANDARD DIMENSION SHEET			
THE YOUNG INDUSTRIES, INC. MUNCY, PENNSYLVANIA 17756 TELEPHONE: 570-546-3165			
DRAWN BY: BMF	DATE DRAWN: 4/12/16		
CHECKED BY:	SCALE: 1:3.5		
DRAWING NUMBER	S-4-7450		REV:



SQUARE FLANGE DETAIL
BOTTOM VIEW OUTLET
(SEE NOTE # 2)

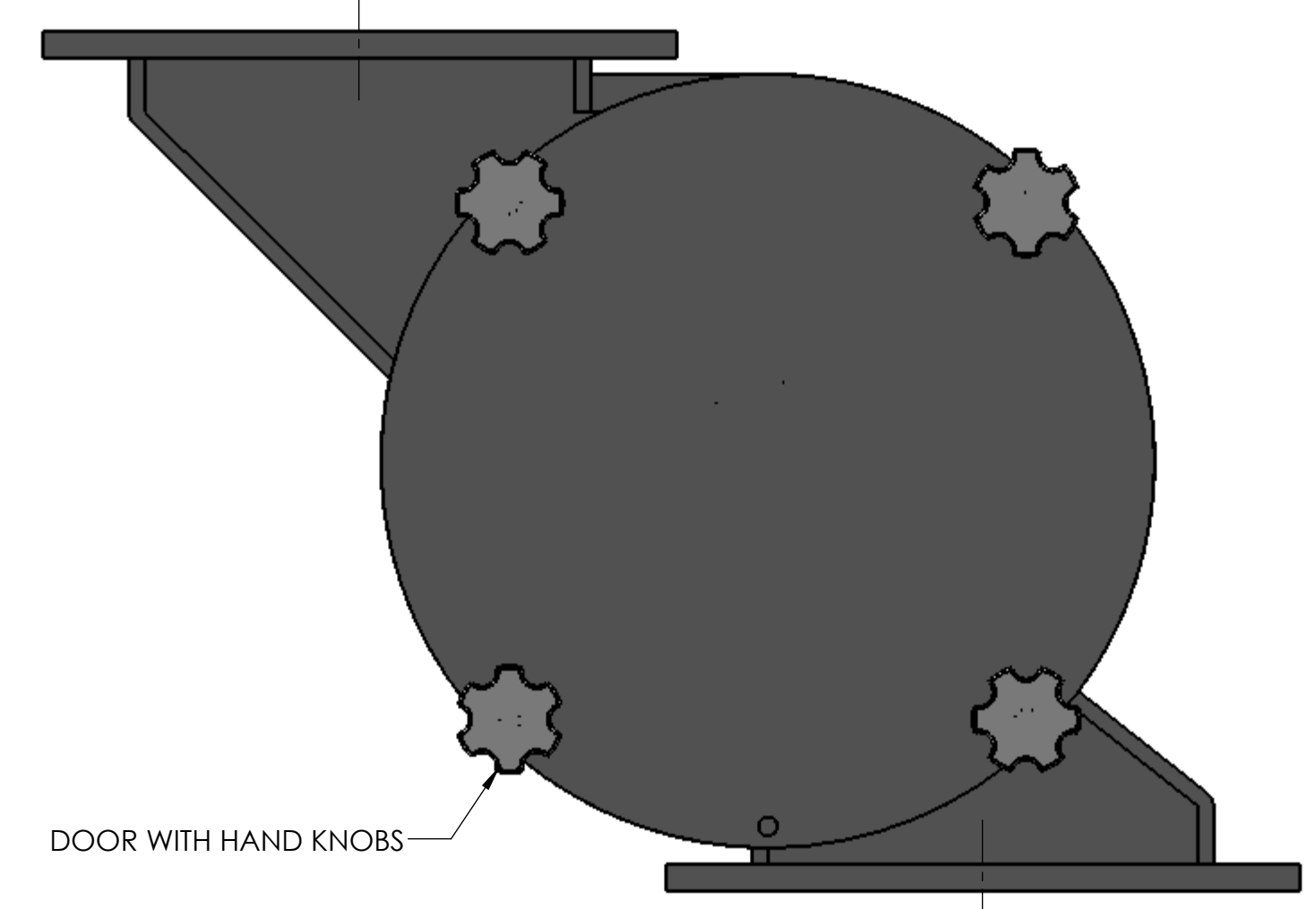
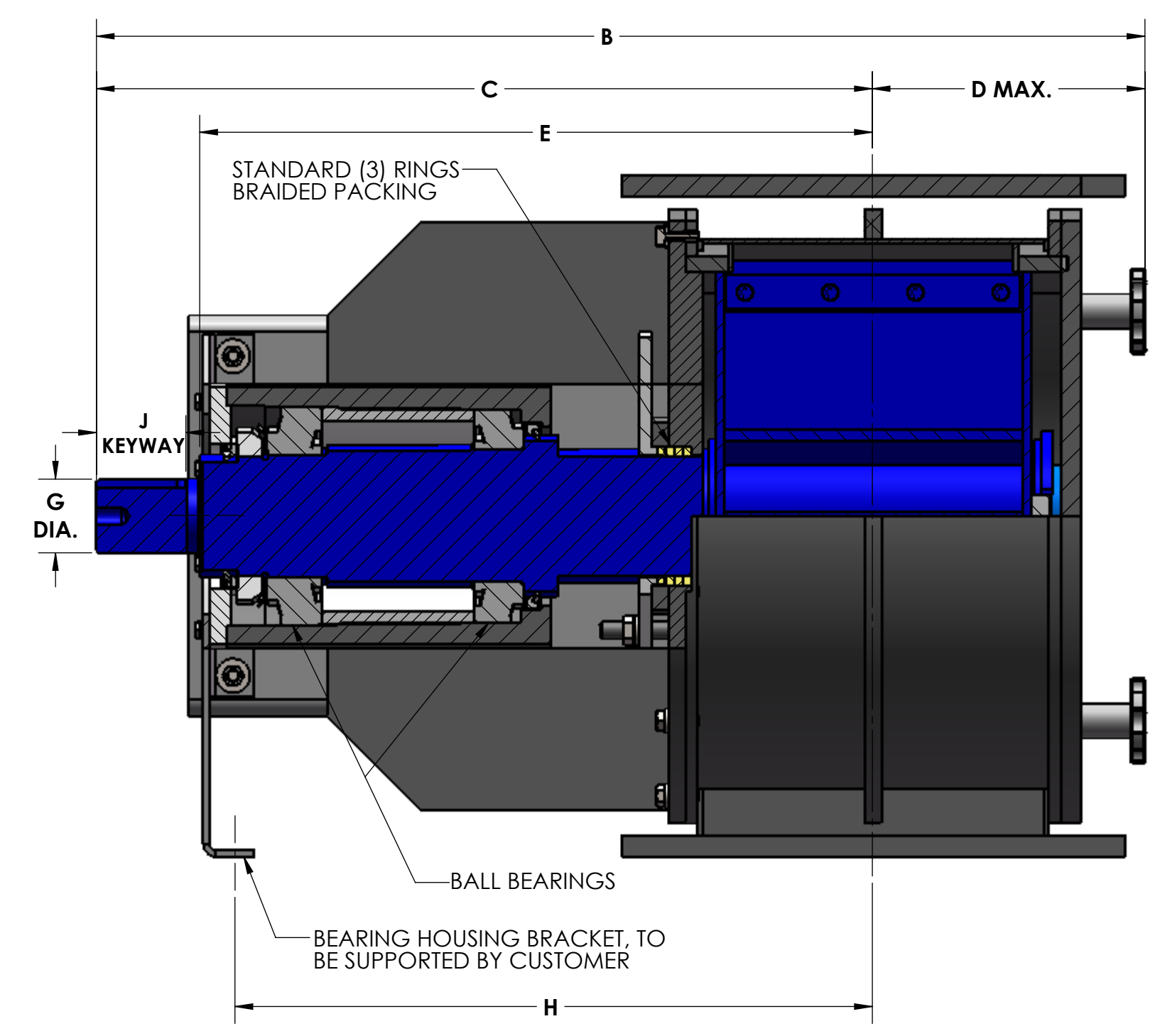
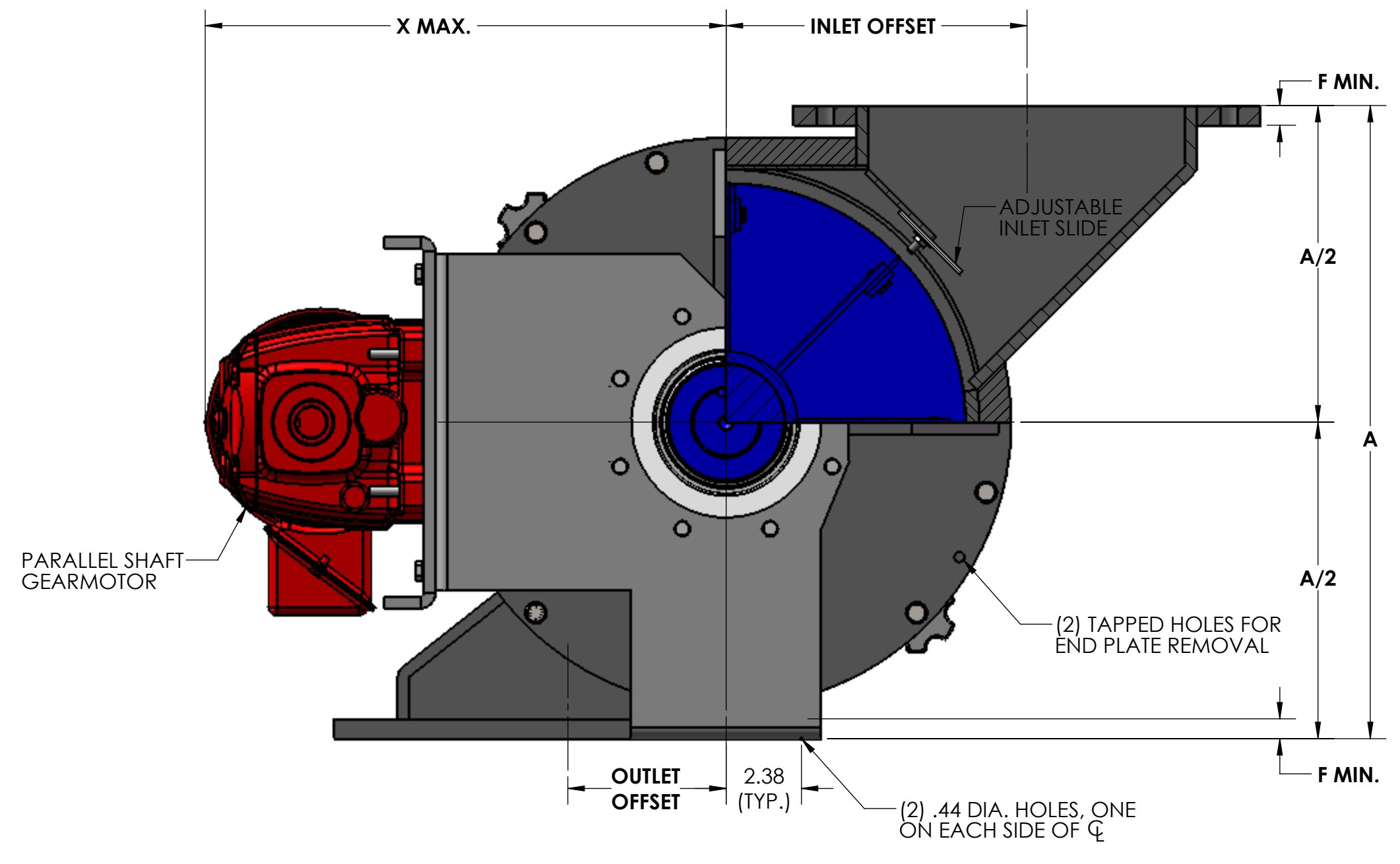
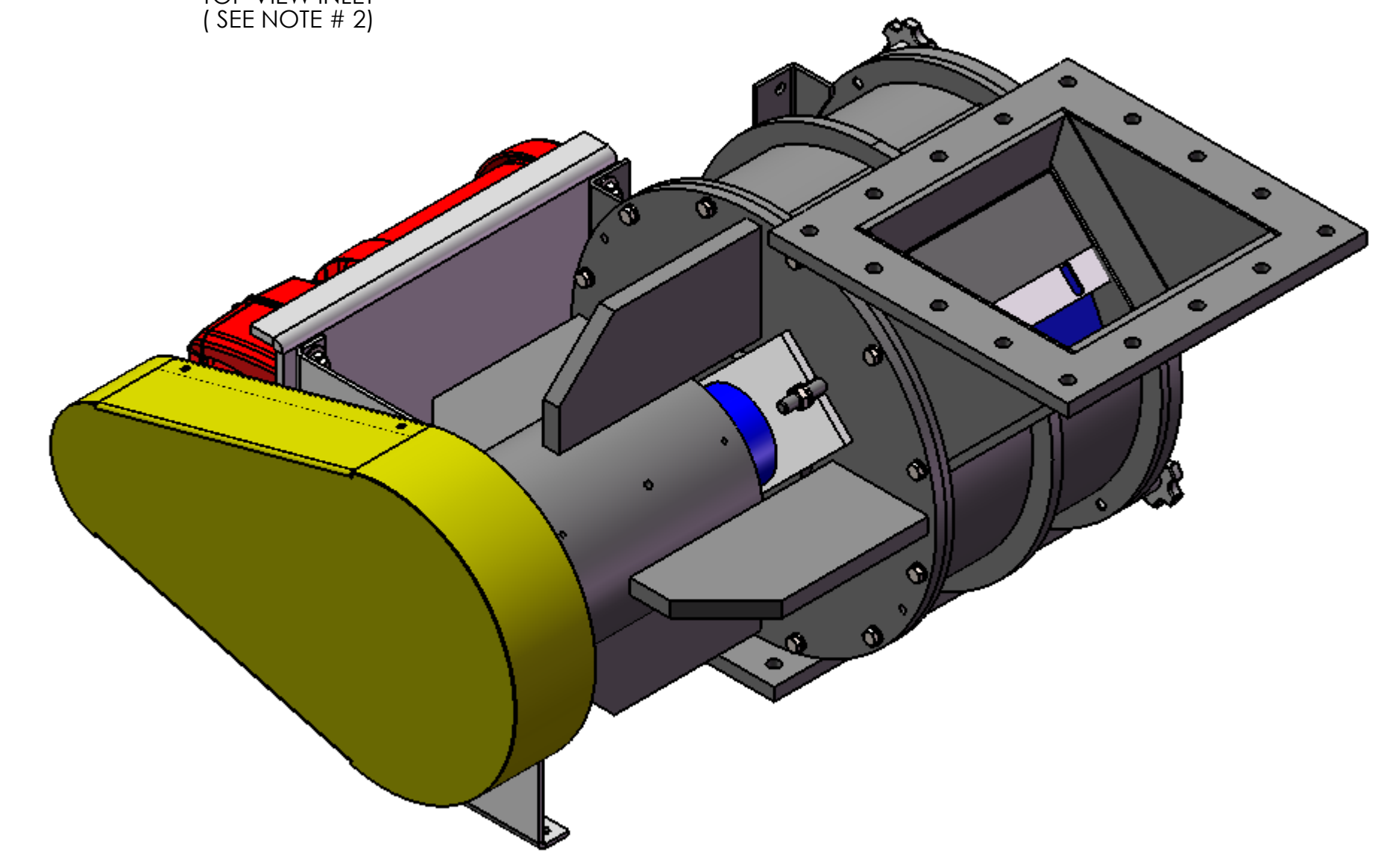
ROUND FLANGE DETAIL
TOP VIEW INLET
(SEE NOTE # 2)



ROTOR SIZES: 4" - 12" - 8 VANES
14" - 24" - 12 VANES

TYPE 'AS' ROTOR

TYPE 'DS' ROTOR



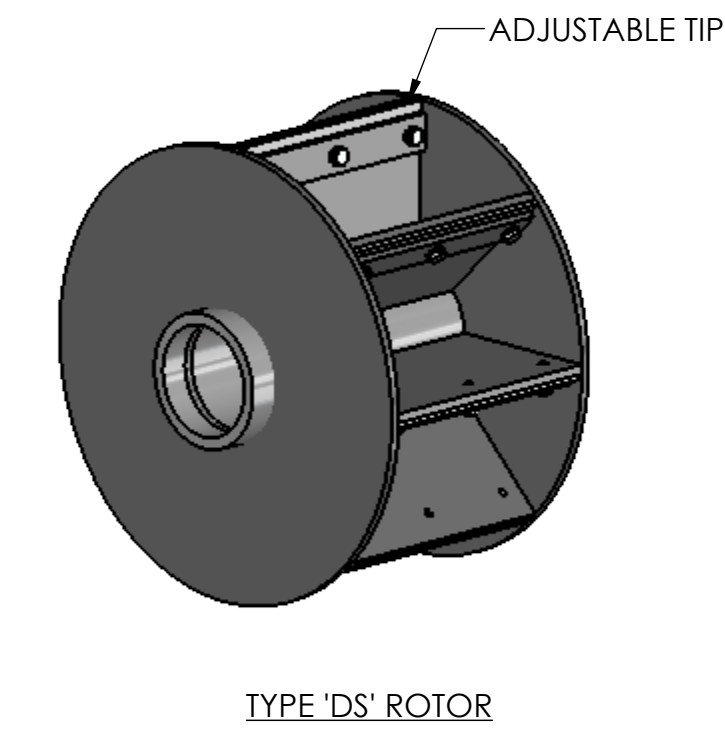
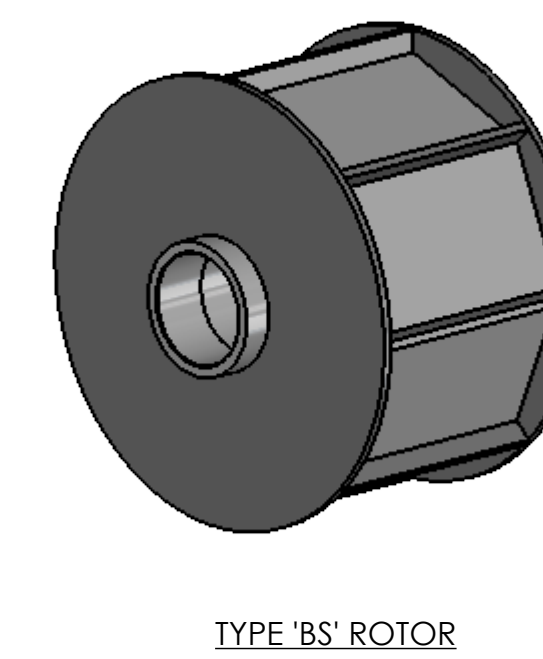
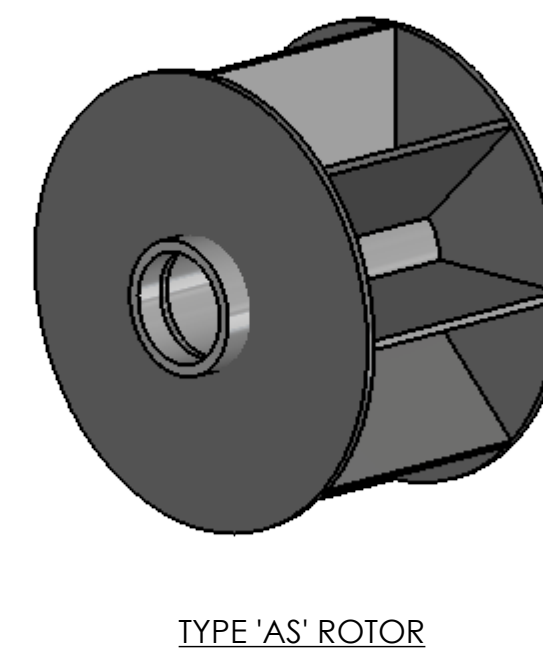
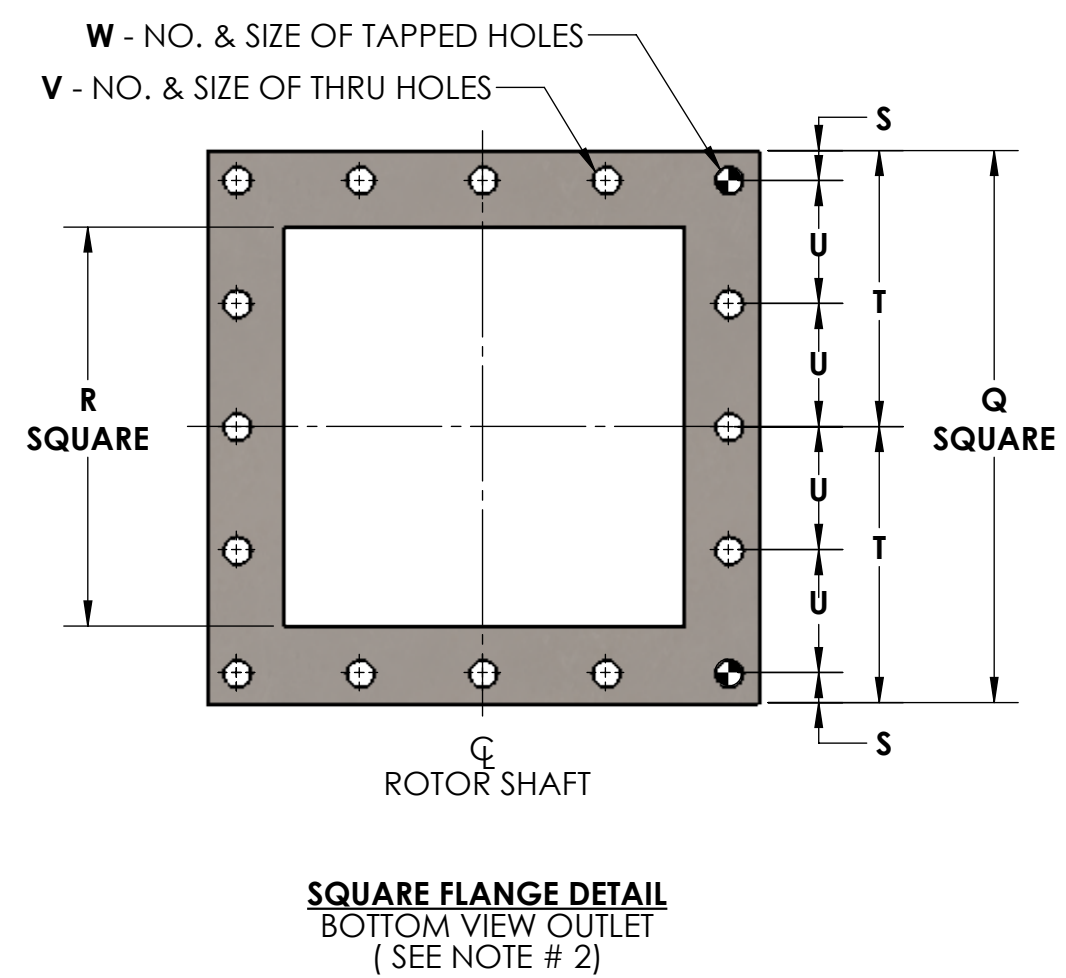
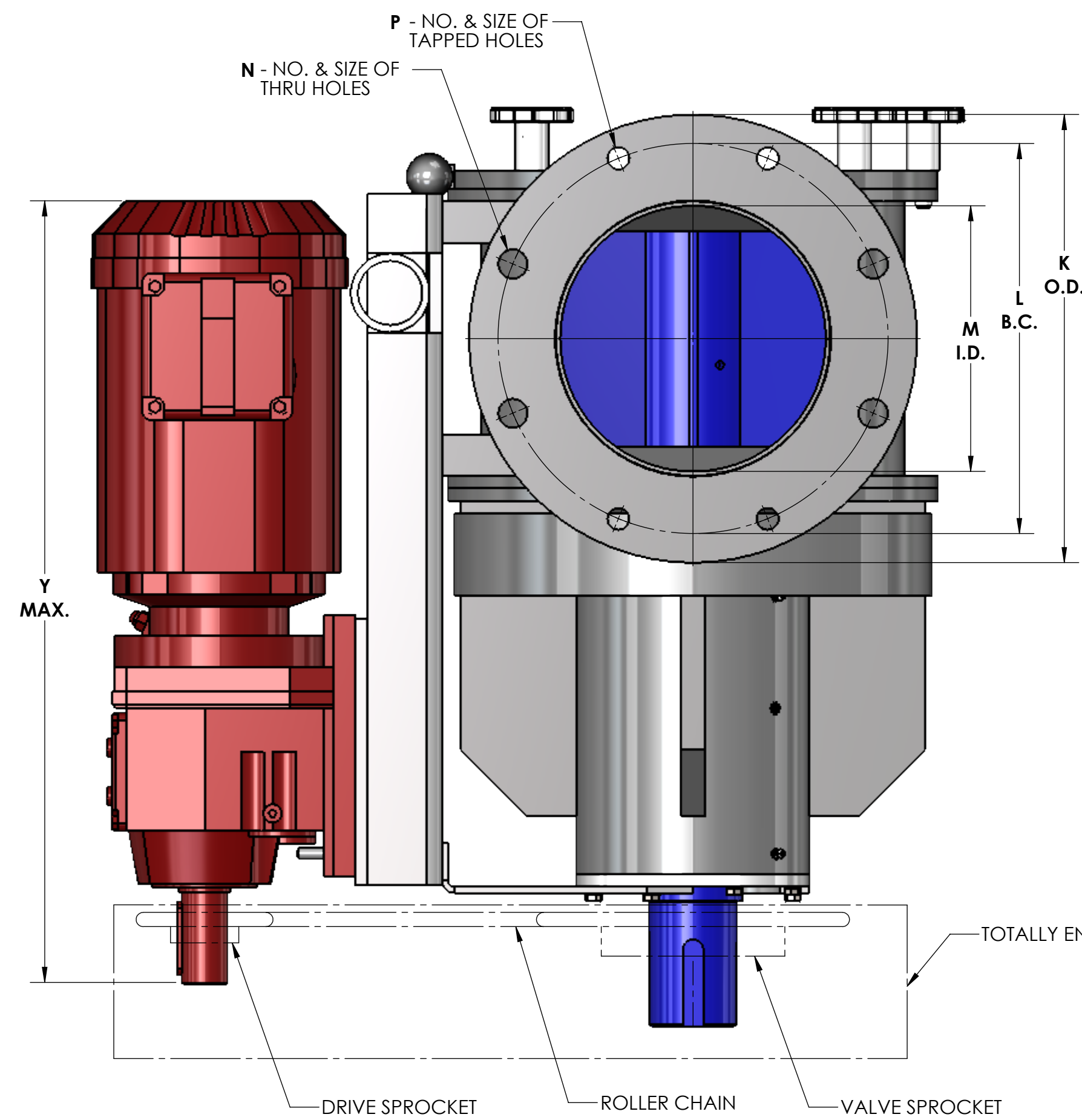
DOOR WITH HAND KNOBS

Size	ROTOR DIA x LG.	CAP. CU. FT./REV.		INLET OFFSET	OUTLET OFFSET	STD RPM	STD HP	A	B	C	D	E	F	G	H	J	K	L	M	N	P	Q	R	S	T	U	V	W	X	Y	WEIGHT C/S
		AS	DS																												
8	12 x 8	.146	.144	8.00	4.00	30	.75	17.00	26.25	19.25	7.00	16.25	.44	1.94	14.12	.50 x .25 x 2.62	13.50	11.75	8.00	(8) .88	N/A	11.50	8.00	.62	5.12	2.56	(16) .56	(5) .50-13UNC-2B	16.38	20.38	425
10	15 x 10	.305	.302	9.50	5.00	28	.75	20.00	31.38	23.12	8.25	28.12	.44	2.19	17.56	.50 x .25 x 2.62	16.00	14.25	10.00	(12) 1.00	(1) 50-13UNC-2B	14.75	10.00	1.00	6.38	3.19	(11) .56	(5) .50-13UNC-2B	19.44	20.38	560

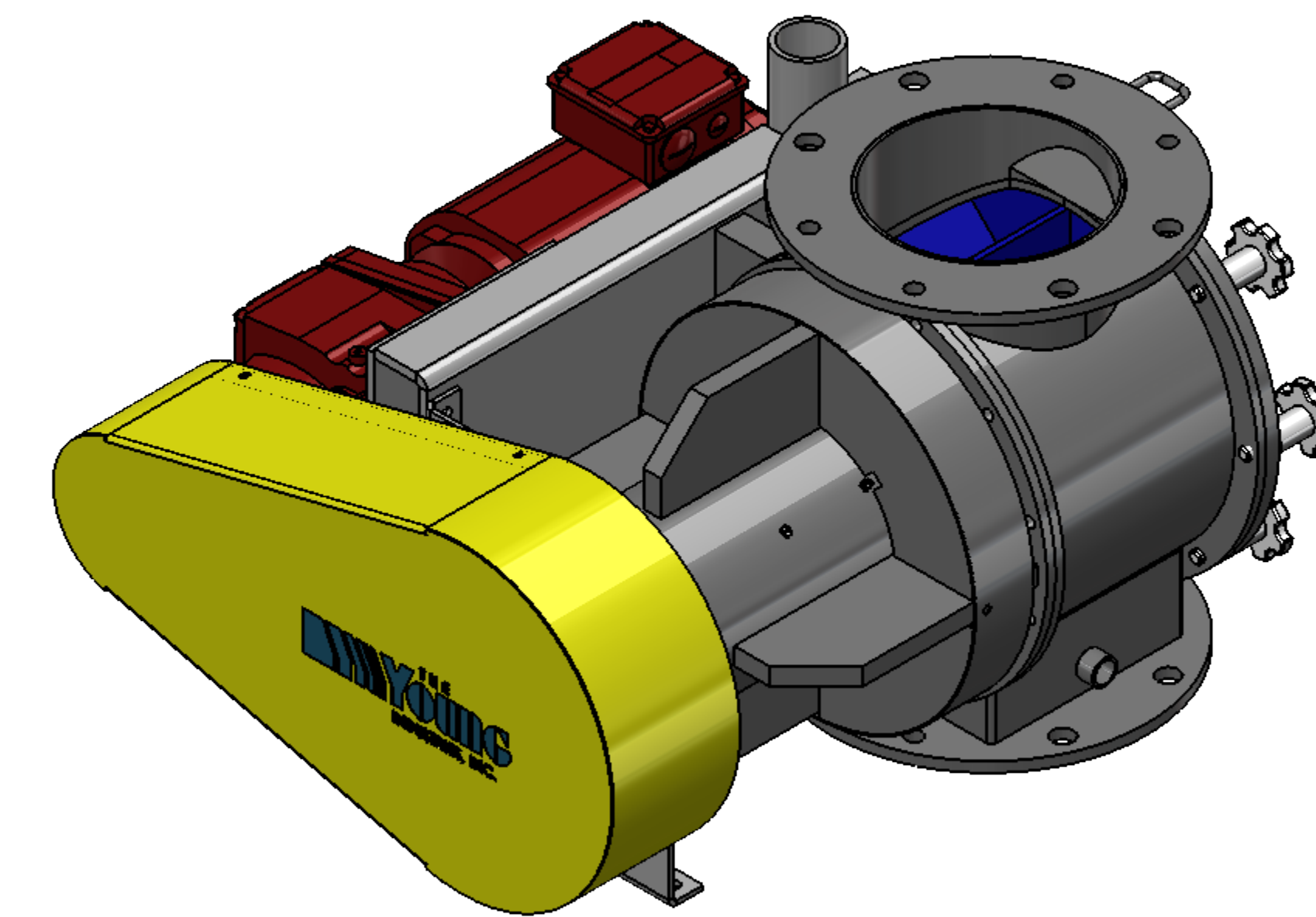
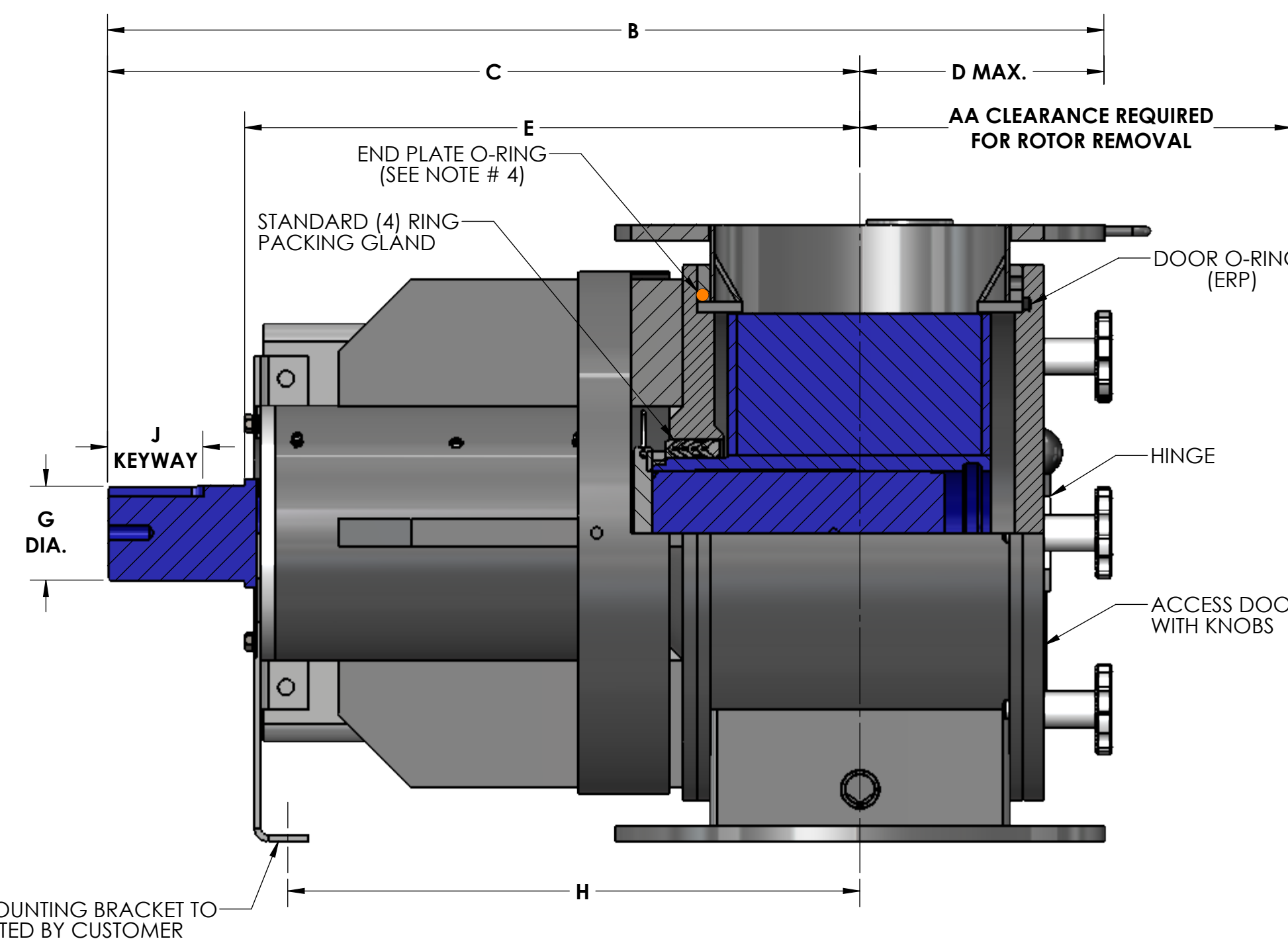
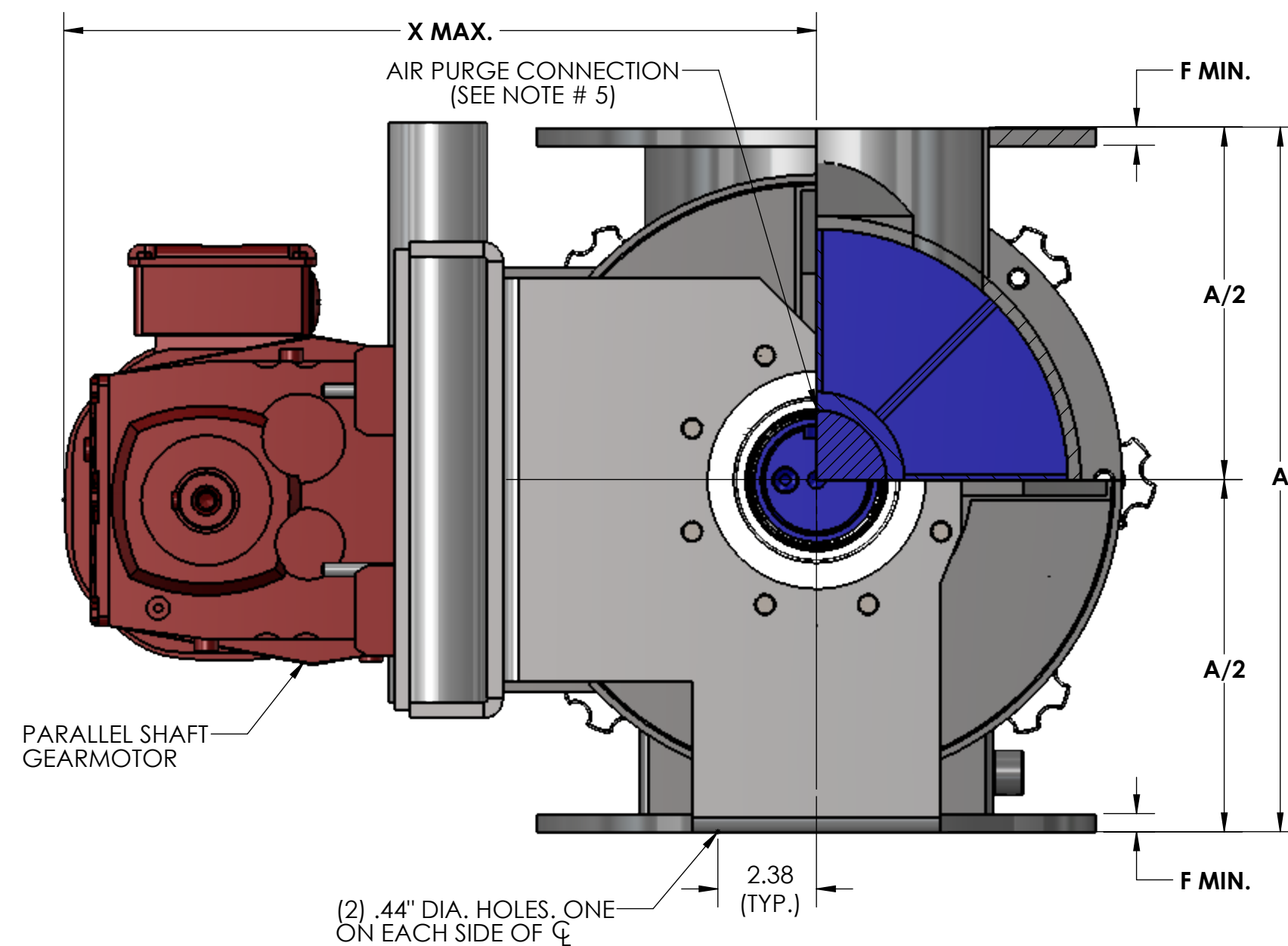
SPECIFICATIONS ARE SUBJECT TO CHANGE WITHOUT NOTIFICATION

GENERAL TOLERANCES	
UNLESS OTHERWISE SPECIFIED THE FOLLOWING SHALL APPLY	
MACHINING - .XX= .02 .XXX= .005 ANGLE= .50°	SURFACE ROUGHNESS HEIGHT 63 MICRONS OR LESS
FABRICATION - UNDER 6 TO 24 24 TO 60 OVER 60	± .06 ± .12 ± .19 ± .25
UNLESS OTHERWISE SPECIFIED DIMENSIONS ARE IN INCHES	

REV. NO.	DESCRIPTION	DATE	BY
REVISIONS			
CUSTOMER			
CUST. NO.			
YOUNG ORDER NO.			
TITLE			
YOUNG INDUSTRIES MODEL 'QC-SE' ROTARY VALVE, SIZE 8" - 10", CLASS 15 WITH PARALLEL SHAFT DRIVE, STANDARD DIMENSION SHEET			
THE YOUNG INDUSTRIES, INC. MINICY, PENNSYLVANIA 17756 TELEPHONE: 570-546-3165			
DRAWN BY: BMF	DATE DRAWN: 4/16/16		
CHECKED BY:	SCALE: 1:4		
DRAWING NUMBER	S-4-7671	REV:	



ROTOR SIZES: 4" - 12" - 8 VANES
14" - 24" - 12 VANES



NOTES:

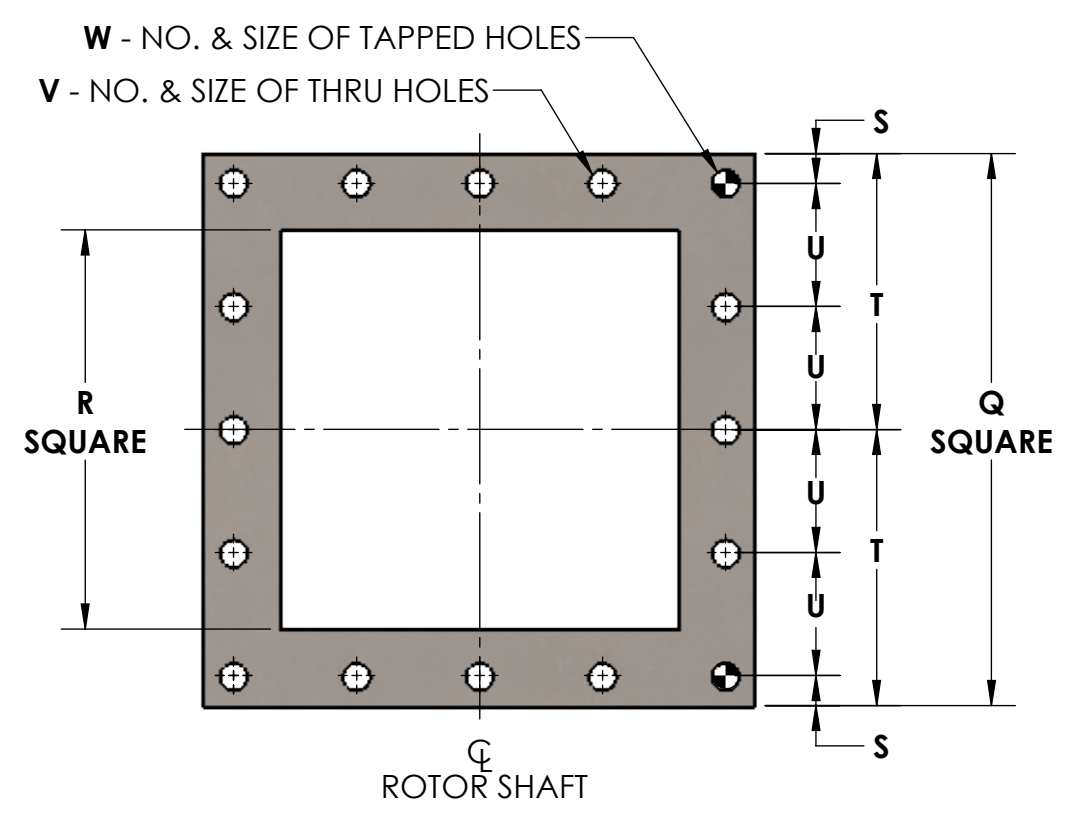
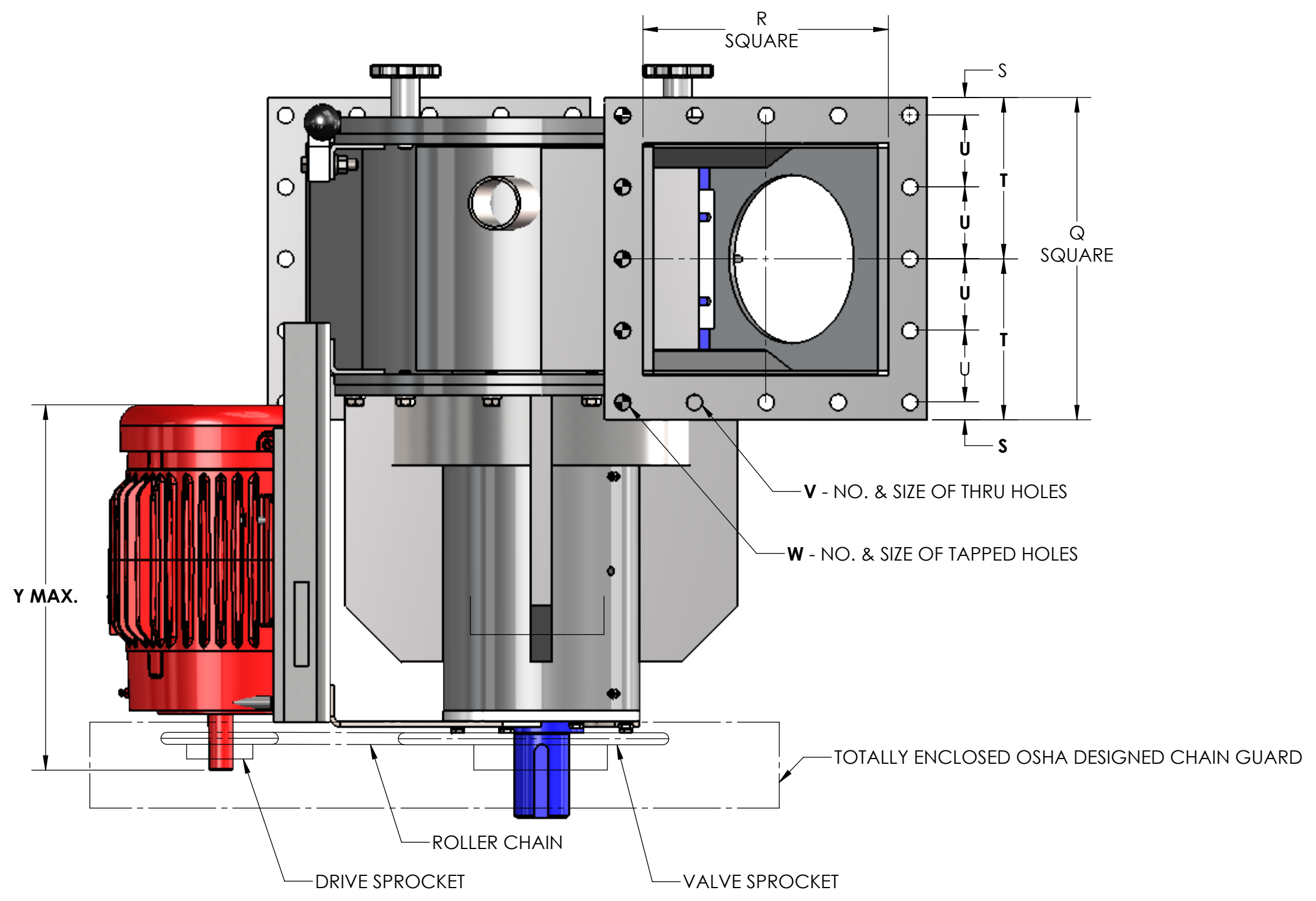
1. VALVE HOUSINGS ARE CAST OF IRON, STEEL OR STAINLESS STEEL; OR FABRICATED OF STEEL OR STAINLESS STEEL. ALL ROTORS ARE FABRICATED OF STEEL OR STAINLESS STEEL.
2. VALVE HOUSINGS ARE AVAILABLE WITH ANY COMBINATION OF SQUARE OR ROUND INLET AND OUTLET. USE ROUND OUTLET WITH ANY FREE FLOWING MATERIAL. ROUND FLANGES MATCH 150# ANSI DRILLING.
3. VALVES ARE DESIGNED FOR 15 PSIG @ INTERNAL PRESSURE AND 5 PSI (MAX) DIFFERENTIAL PRESSURE @ 250 DEGREES F.
4. END PLATE 'O' RING IS OPTIONAL AND WILL BE FURNISHED ONLY WHEN SPECIFIED. DOOR 'O' RING IS STANDARD.
5. AIR PURGE CONNECTION IS OPTIONAL AND WILL BE FURNISHED ONLY WHEN SPECIFIED.

SIZE	ROTOR		ROTOR CAPACITY CU. FT. PER REV.					STD RPM	VENT SIZE	STD HP	DIMENSIONS													WEIGHT C/S	ROTOR WEIGHT									
	DIA x LG.	AS	BS	CS	DS	A	B				C	D	E	F	G	H	J	K	L	M	N	P	Q			R	S	T	U	V	W	X	Y	AA
4	6.00 x 3.50	.0374	.0274	.0129	.0343	38	1.25	.50	10.00	19.25	10.31	4.50	7.31	0.31	1.19	1.00	.25 x .12 x 2.62	9.00	7.50	4.00	(8) .75	N/A	7.50	4.00	.62	3.12	N/A	(6) .56	(2) .50-13UNC-2B	14.94	20.38	12.31	255	20
5	8.00 x 4.50	.0930	.0642	.0440	.0890	38	1.50	.50	12.00	20.50	10.94	8.31	7.94	0.44	1.44	1.25	.38 x .19 x 2.62	10.00	8.50	5.00	(4) .88	(4) .75-10UNC-2B	8.50	5.00	.62	3.62	N/A	(6) .56	(2) .50-13UNC-2B	15.94	20.38	14.50	300	25
6	10.00 x 5.50	.189	.124	.0795	.184	32	1.50	.50	14.00	22.38	11.88	9.25	8.88	0.44	1.94	1.75	.50 x .25 x 2.62	11.00	9.50	6.00	(4) .88	(4) .75-10UNC-2B	9.50	6.00	.62	4.12	N/A	(6) .56	(2) .50-13UNC-2B	17.00	20.38	17.06	325	30
8	12.00 x 7.25	.361	.214	.115	.356	32	2.00	.75	17.00	24.38	12.88	10.25	9.88	0.44	1.94	1.75	.50 x .25 x 2.62	13.50	11.75	8.00	(4) .88	(4) .75-10UNC-2B	11.50	8.00	.62	5.12	2.56	(14) .56	(2) .50-13UNC-2B	18.00	20.38	20.31	455	40
10	15.00 x 9.25	.745	.507	.154	.738	32	2.50	.75	20.00	26.62	13.88	11.25	10.88	0.44	2.19	2.00	.50 x .25 x 2.62	16.00	14.25	10.00	(8) 1.00	(4) .88-9UNC-2B	14.75	10.00	1.00	6.38	3.19	(14) .56	(2) .50-13UNC-2B	19.62	20.38	24.75	585	75
12	17.00 x 11.25	1.182	.670	.259	1.172	32	2.50	.75	22.00	29.75	15.81	12.44	12.06	0.56	2.44	2.25	.62 x .31 x 3.38	19.00	17.00	12.00	(8) 1.00	(4) .88-9UNC-2B	16.75	12.00	1.00	7.38	3.69	(14) .56	(2) .50-13UNC-2B	20.62	21.38	27.75	860	120
14	19.00 x 12.25	1.578	.940	.438	1.563	32	3.00	.75	24.00	30.75	16.31	12.94	12.56	0.56	2.44	2.25	.62 x .31 x 3.38	21.00	18.75	13.00	(8) 1.12	(4) 1.00-8UNC-2B	18.00	13.00	1.00	8.00	4.00	(14) .56	(2) .50-13UNC-2B	21.56	21.38	30.25	1210	160

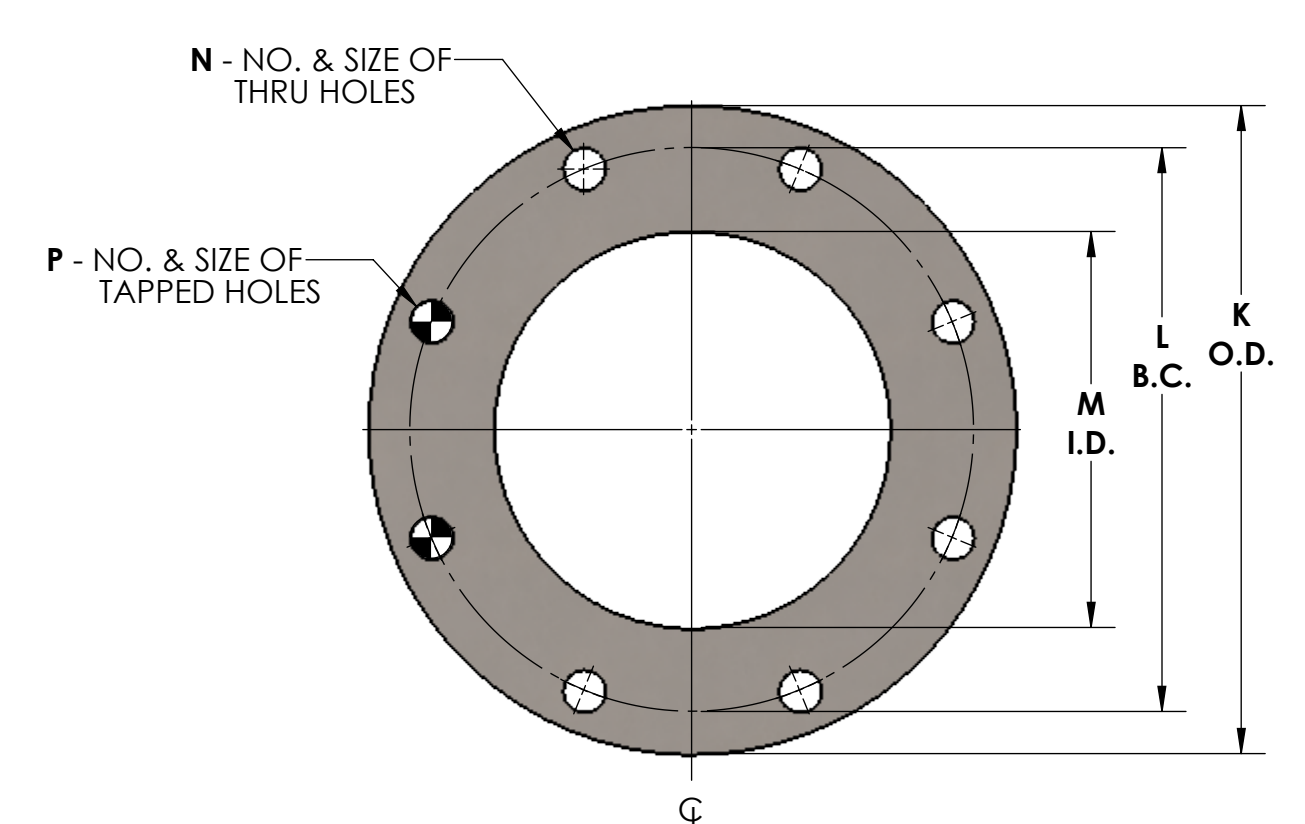
SPECIFICATIONS ARE SUBJECT TO CHANGE WITHOUT NOTIFICATION

REV. NO.	DESCRIPTION	DATE	BY
REVISIONS			
CUSTOMER			
CUST. NO.			
YOUNG ORDER NO.			
TITLE			
YOUNG INDUSTRIES, INC. MUNCY, PENNSYLVANIA 17756 TELEPHONE: 570-546-3165			
DRAWN BY: BMF		DATE DRAWN: 10/13/17	
CHECKED BY:		SCALE: 1:3.5	
DRAWING NUMBER		REV:	

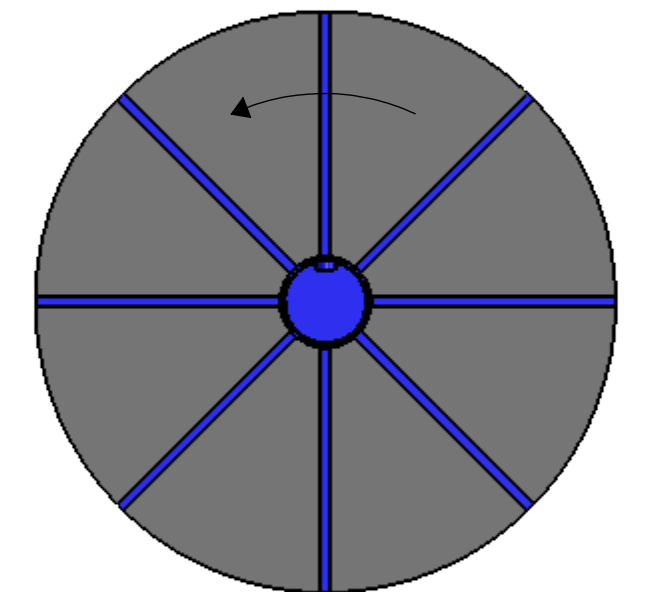
S-4-6512



SQUARE FLANGE DETAIL
BOTTOM VIEW OUTLET
(SEE NOTE # 2)

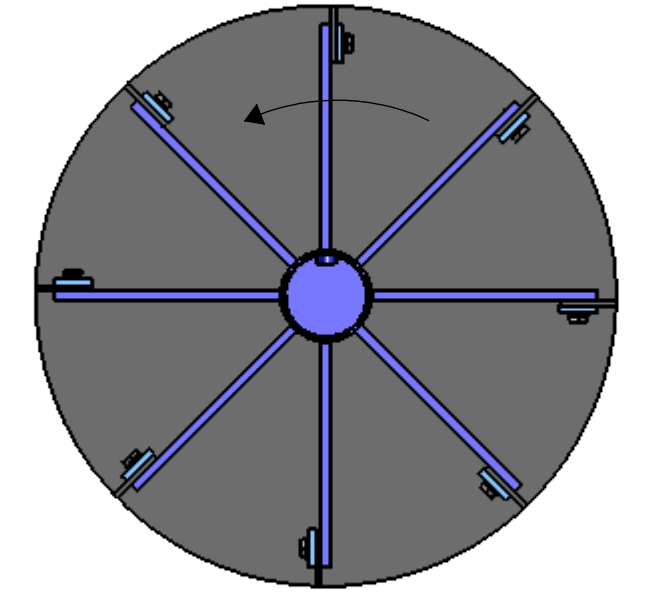


ROUND FLANGE DETAIL
TOP VIEW INLET
(SEE NOTE # 2)

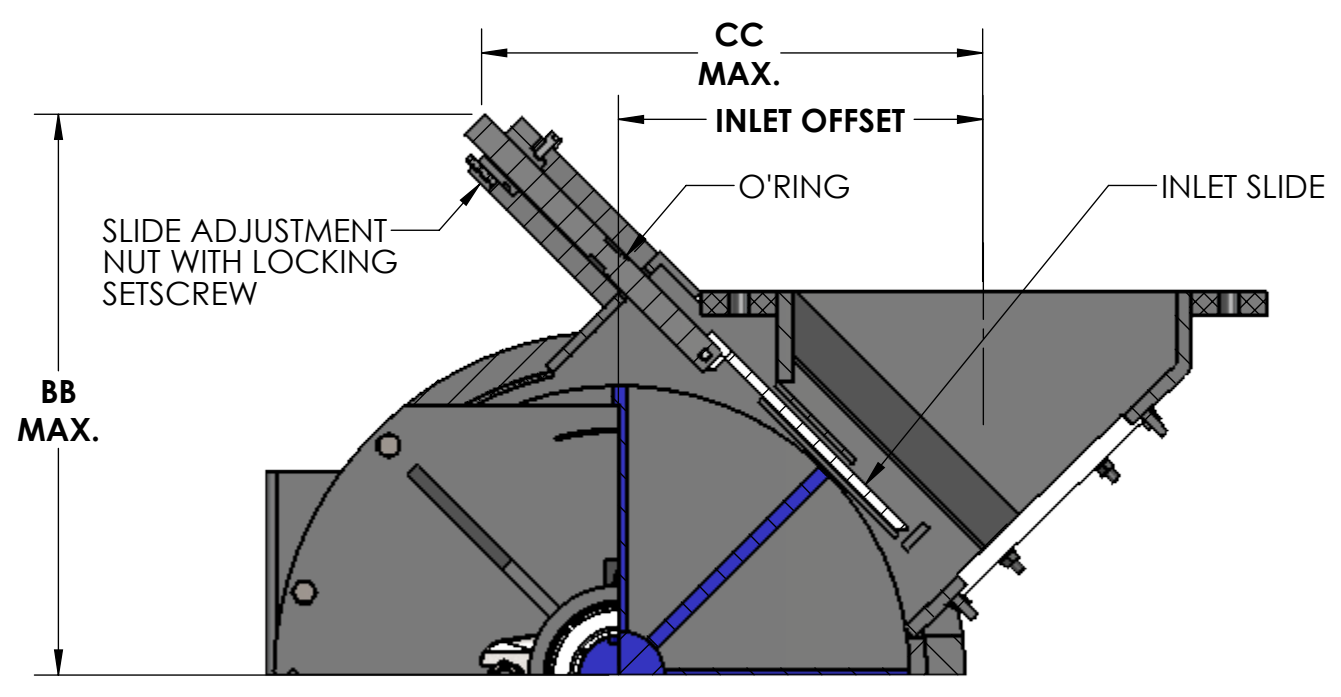


TYPE 'AS' ROTOR

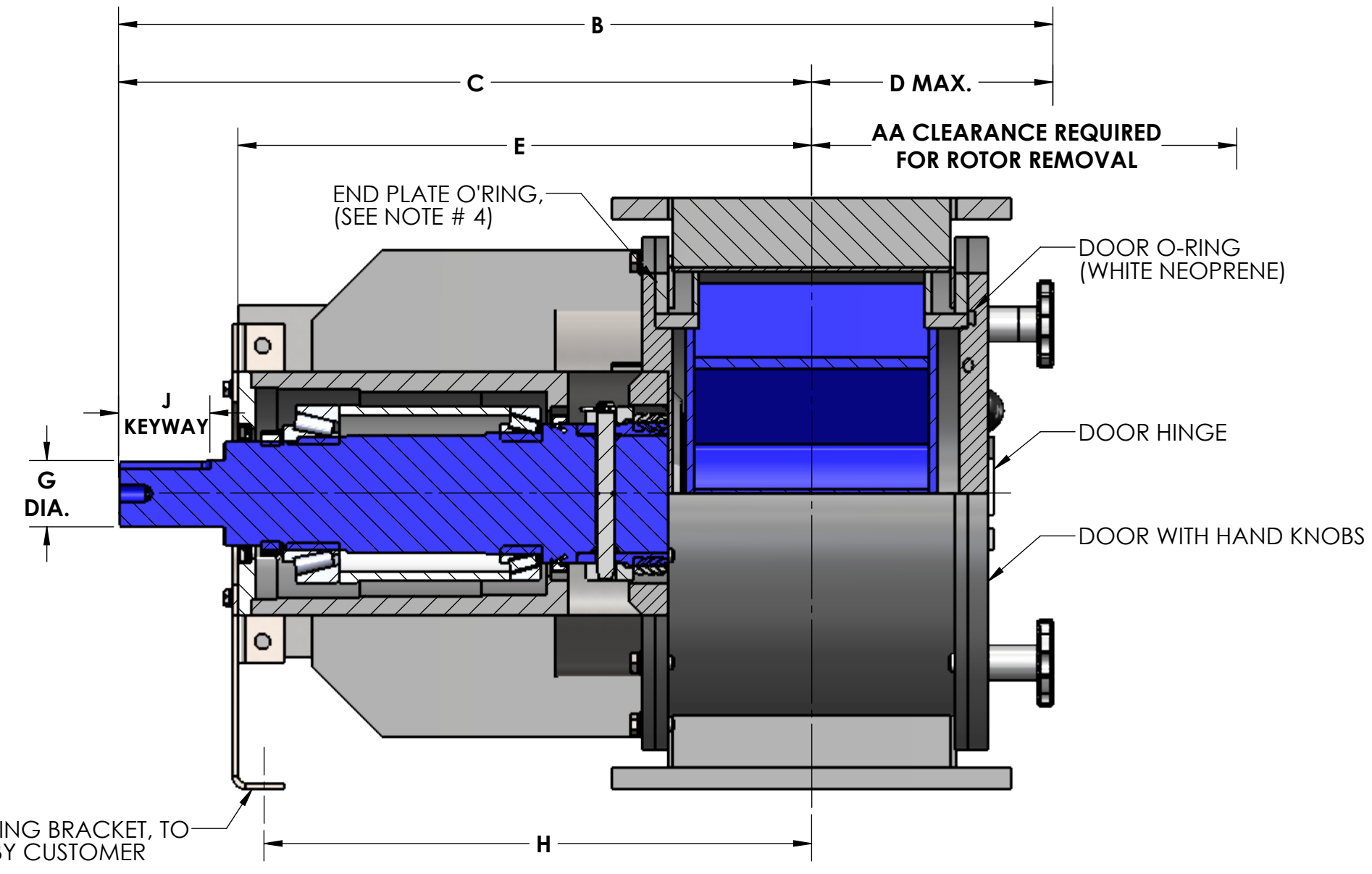
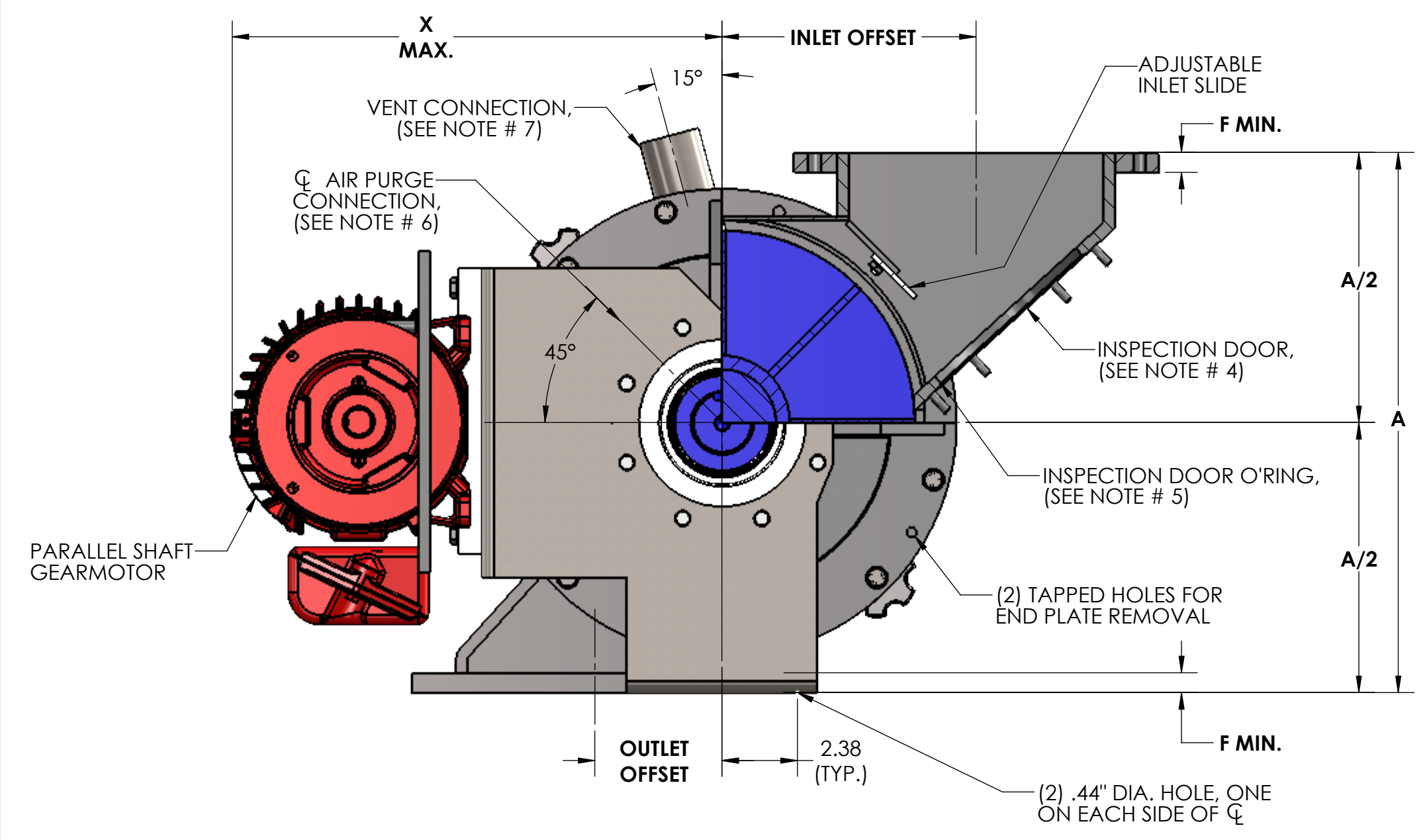
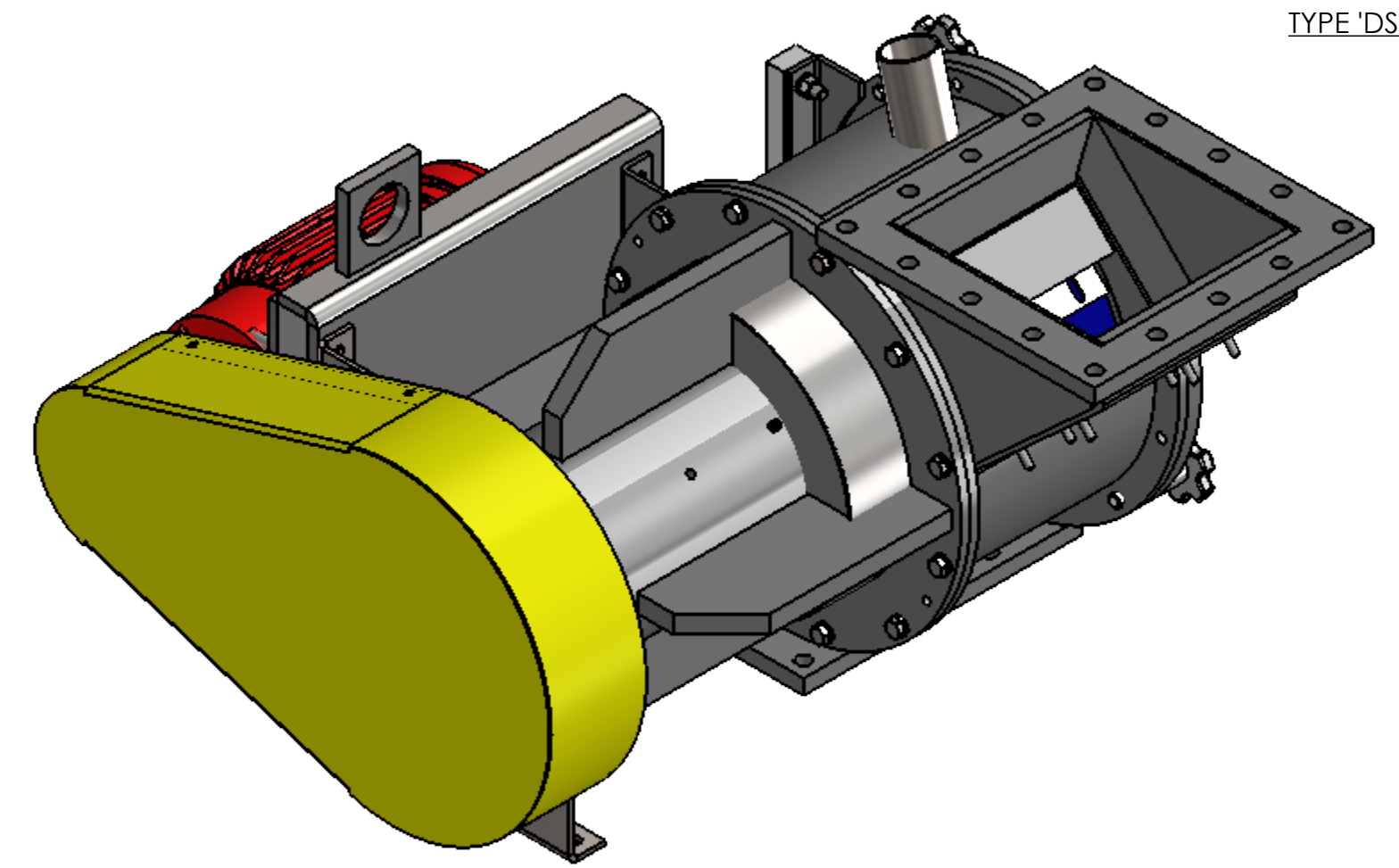
ROTOR SIZES: 4" - 12" - 8 VANES
14" - 24" - 12 VANES



TYPE 'DS' ROTOR



EXTERNAL ADJUSTMENT INLET SLIDE
(SEE NOTE # 8)



NOTES:

1. VALVE HOUSINGS ARE CAST OF IRON, ALUMINUM, STEEL OR STAINLESS STEEL; OR FABRICATED OF STEEL OR STAINLESS STEEL. ALL ROTORS ARE FABRICATED OF STEEL OR STAINLESS STEEL.
2. VALVE HOUSINGS ARE AVAILABLE WITH A SQUARE OUTLET ONLY. FABRICATED HOUSINGS ARE AVAILABLE WITH EITHER SQUARE OR ROUND INLETS. CAST HOUSINGS AVAILABLE WITH SQUARE INLET ONLY. ROUND FLANGES MATCH 150# ANSI DRILLING. NOTE: USE ROUND OUTLET ONLY WITH FREE FLOWING MATERIAL.
3. VALVES ARE DESIGNED FOR 15 PSI (MAX.) INTERNAL PRESSURE AND 5 PSI (MAX.) DIFFERENTIAL PRESSURE @ 250 DEGREES F.
4. INSPECTION DOOR IS OPTIONAL AND WILL BE FURNISHED ONLY WHEN SPECIFIED.
5. END PLATE AND INSPECTION DOOR "O" RINGS ARE OPTIONAL AND WILL ONLY BE FURNISHED WHEN SPECIFIED. DOOR "O" RING IS STANDARD.
6. AIR PURGE CONNECTION, 1/8" NPT IS OPTIONAL AND WILL BE FURNISHED ONLY WHEN SPECIFIED.
7. VENT CONNECTION IS OPTIONAL AND WILL BE FURNISHED ONLY WHEN SPECIFIED. STANDARD VENT CONNECTION IS 6" LONG SECTION OF SCH. 10 PIPE.
8. EXTERNAL ADJUSTMENT SLIDE IS OPTIONAL AND WILL BE FURNISHED ONLY WHEN SPECIFIED. EXTERNAL ADJUSTMENT IS AVAILABLE ONLY ON FABRICATED VALVES WITH SQUARE INLET.

Size	ROTOR DIA x LG.	CAP. CU. FT./REV. AS DS	INLET OFFSET	OUTLET OFFSET	STD RPM	VENT SIZE	STD HP	A	B	C	D	E	F	G	H	J	K	L	M	N	Q	R	S	T	U	V	W	X	Y	AA	BB	CC	WEIGHT C/S	ROTOR WEIGHT
4	6 x 3.50	.015 .0137	4.00	2.00	30	1.00	.50	10.00	20.81	16.31	4.50	13.06	.31	1.19	12.38	.25 x .12 x 2.62	9.00	7.50	4.00	(8).75	7.50	4.00	.62	3.12	N/A	(6).56	(2).50-13UNC-28	14.94	20.38	12.31	7.75	7.31	255	20
5	8 x 4.50	.0372 .0356	5.00	2.50	30	1.25	.50	12.00	20.50	10.94	8.31	7.94	.44	1.44	14.00	.38 x .19 x 2.62	10.00	8.50	5.00	(8).88	8.50	5.00	.62	3.62	N/A	(6).56	(2).50-13UNC-28	15.94	20.38	14.50	9.25	8.62	300	25
6	10 x 5.50	.0756 .0736	6.00	3.00	30	1.25	.50	14.00	22.38	11.88	9.25	8.88	.44	1.94	15.19	.50 x .25 x 2.62	11.00	9.50	6.00	(8).88	9.50	6.00	.62	4.12	N/A	(6).56	(2).50-13UNC-28	17.00	20.38	17.06	12.38	11.19	325	30
8	12 x 7.25	.144 .142	8.00	4.00	30	1.50	.75	17.00	24.38	12.88	10.25	9.88	.44	1.94	15.75	.50 x .25 x 2.62	13.50	11.75	8.00	(8).88	11.50	8.00	.62	5.12	2.56	(16).56	N/A	18.00	20.38	20.31	12.62	12.19	455	40
10	15 x 9.25	.298 .295	9.50	5.00	28	2.00	.75	20.00	26.62	13.88	11.25	10.88	.44	2.19	17.19	.50 x .25 x 2.62	16.00	14.25	10.00	(12)1.00	14.75	10.00	1.00	6.38	3.19	(15).56	(1).50-13UNC-28	19.62	20.38	24.75	15.25	13.62	585	75
12	17 x 11.25	.473 .469	11.00	6.00	28	2.00	1.00	22.00	29.75	15.81	12.44	12.06	.56	2.44	18.06	.62 x .31 x 3.38	19.00	17.00	12.00	(12)1.00	16.75	12.00	1.00	7.38	3.69	(15).56	(1).50-13UNC-28	20.62	21.38	27.75	17.12	15.44	860	120
14	19 x 12.25	.631 .625	12.00	6.50	28	2.00	1.00	24.00	30.75	16.31	12.94	12.56	.56	2.44	20.06	.62 x .31 x 3.38	21.00	18.75	13.00	(12)1.12	18.00	13.00	1.00	8.00	4.00	(11).56	(5).50-13UNC-28	21.56	21.38	30.25	19.75	18.38	1,210	160

SPECIFICATIONS ARE SUBJECT TO CHANGE WITHOUT NOTIFICATION

REV. NO.	DESCRIPTION	DATE	BY
REVISIONS			
CUSTOMER			
CUST. NO.			
YOUNG ORDER NO.			
TITLE			
YOUNG INDUSTRIES, INC. MUNICIPALITY, PENNSYLVANIA 17756 TELEPHONE: 570-546-3165			
DRAWN BY: BMF		DATE DRAWN: 4/11/16	
CHECKED BY:		SCALE: 1:4	
DRAWING NUMBER		REV:	

GENERAL TOLERANCES	
UNLESS OTHERWISE SPECIFIED THE FOLLOWING SHALL APPLY	
MACHINING - .XX = .02 .XXX = .005 ANGLE = .50°	
SURFACE ROUGHNESS HEIGHT 63 MICRONS OR LESS	
FABRICATION - UNDER 6" 6 TO 24" 24 TO 60" OVER 60"	
± .06 ± .12 ± .19 ± .25	
UNLESS OTHERWISE SPECIFIED DIMENSIONS ARE IN INCHES	

S-4-6514