

PRODUCT LINE REPORT

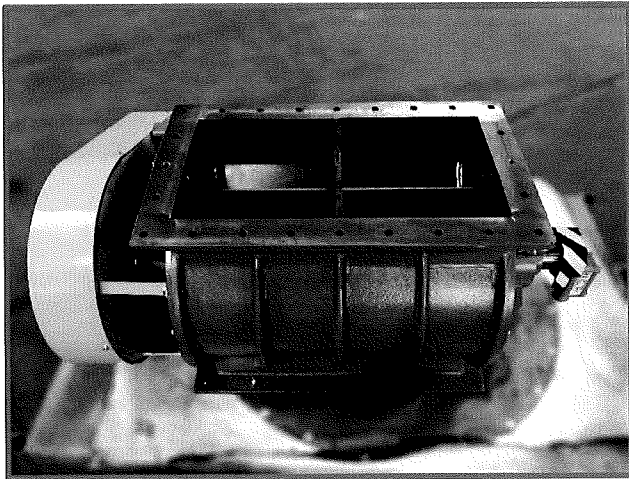
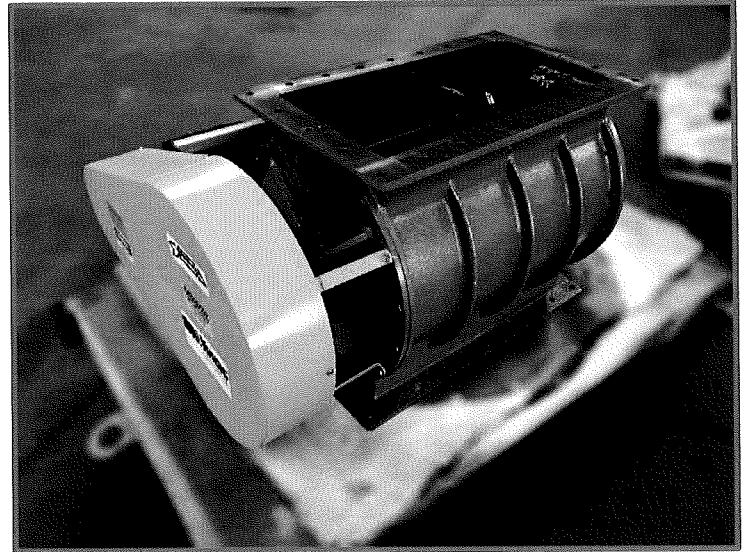
12" X 24" ROTARY VALVE FOR BELT CONVEYOR DISCHARGE

**ADVANCED
TECHNOLOGY
PROVEN DESIGN**

ok ppm
2/1/29

REQUIREMENT:

A major producer of powder minerals uses a Belt Conveyor to deliver large quantities of powder minerals to a process vessel. The vessel has a slight positive pressure and there is a need to have a rotary airlock valve at the inlet of the vessel. Due to the poor flow characteristics of the minerals it is preferable to minimize any transitions from the belt conveyor to the vessel. A high capacity Rotary Valve with wide inlet and discharge opening is required. The mineral powder being handled is also slightly abrasive.



EQUIPMENT PROVIDED:

Young Industries provided an Extended Length Model HC Rotary Valve with a 12" x 24" inlet opening. This valve is a straight drop thru design that matches closely to the width of the user's belt conveyor. The tight internal clearances provided with this valve minimize leakage due to the differential pressure. The valve is a non-metering airlock oversized sufficiently to handle the maximum capacity of the belt conveyor and operates at low speed (10 RPM) to minimize abrasion. It is equipped with 1.5 HP Roller chain drive. It also has a speed switch mounted on the tail end of the rotor so it can be monitored by the users control system. The valve is in operation and meets all of the requirements of the application.

**THE
Young®**
INDUSTRIES, INC.

PLR-S-221-207.00

16 PAINTER STREET, MUNCY, PA 17756

(800) 546-3165 | WWW.YOUNGINDS.COM