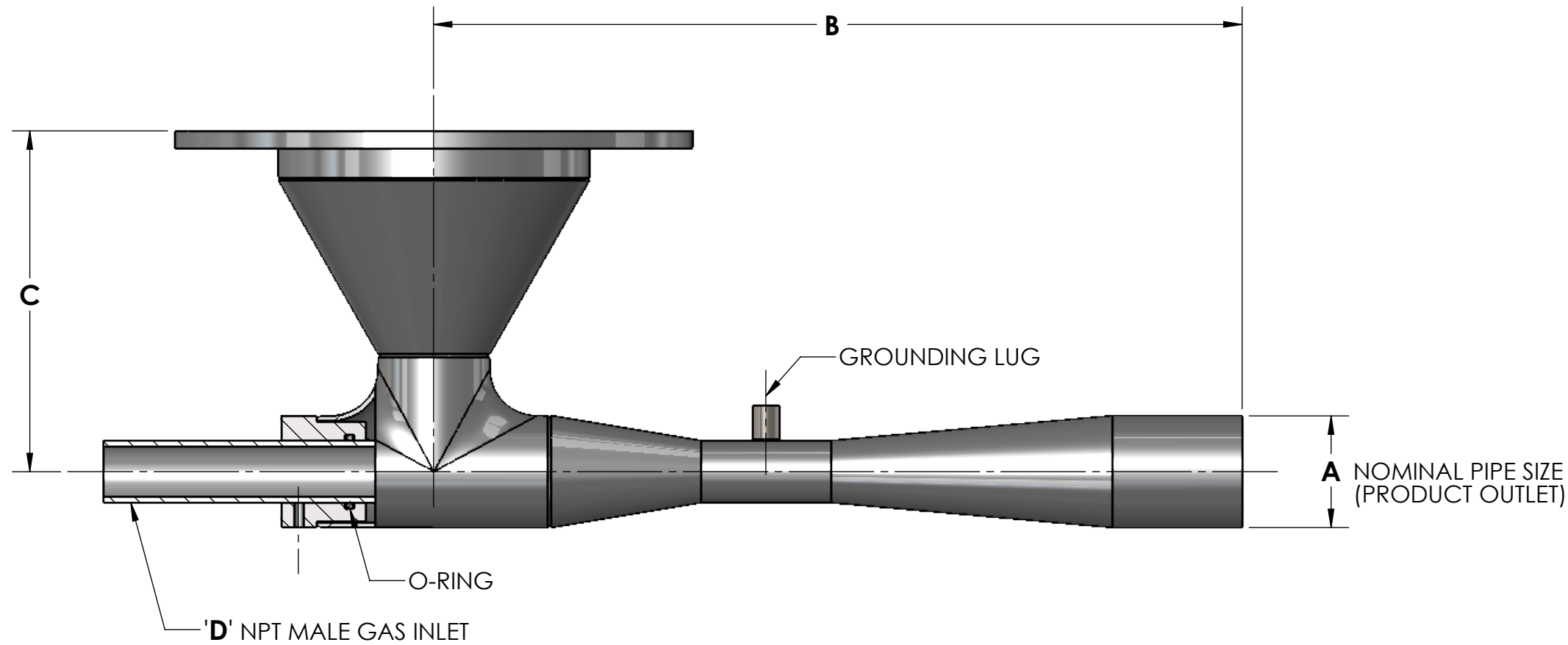
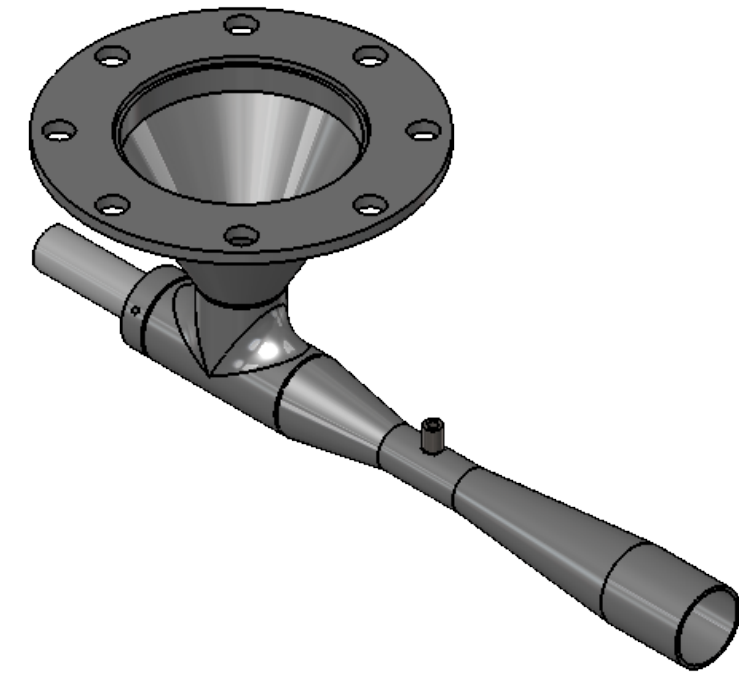


NOTES:

1. CFM RATING IS MAXIMUM MOTIVE GAS FLOW AT 15 PSIG SUPPLY PRESSURE.
2. EDUCTORS ARE AVAILABLE IN CARBON AND STAINLESS STEEL. OTHER MATERIALS AVAILABLE UPON REQUEST.
3. INLET FLANGE CONFIGURATION AND DRILLING PER CUSTOMER SPECIFICATION.



REV. NO.	DESCRIPTION	DATE	BY

REVISIONS

CUSTOMER:

CUSTOMER NAME:

YOUNG JOB NUMBER:*

TITLE

YOUNG INDUSTRIES 'TRANSVAIR®'
VENTURI EDUCTOR
STANDARD DIMENSION SHEET

THE YOUNG INDUSTRIES, INC.
MUNCY, PENNSYLVANIA 17756
TELEPHONE: 570-546-3165

DRAWN BY: BMF DATE DRAWN: 6/13/17

CHECKED BY: SCALE = 1:3

DRAWING NUMBER SHEET: REV:

 S-2-7973 1 OF 1

SIZE 'A' (NPT)	DIMENSIONS			CFM RATING
	B	C	D	
3/4"	9.91	3.00	0.38	11
1"	9.91	4.00	0.50	26
1.50"	13.94	4.00	0.75	66
2"	17.19	5.00	1.00	110
3"	23.69	6.00	1.50	248
4"	44.22	7.00	2.00	440

GENERAL TOLERANCES
UNLESS OTHERWISE SPECIFIED THE FOLLOWING SHALL APPLY
MACHINING - .XX= .02 .XXX= .005 ANGLE= .50° SURFACE ROUGHNESS HEIGHT 63 MICROINCHES OR LESS
FABRICATION - UNDER 6 6 TO 24 24 TO 60 OVER 60 ± .06 ± .12 ± .19 ± .25
UNLESS OTHERWISE SPECIFIED DIMENSIONS ARE IN INCHES