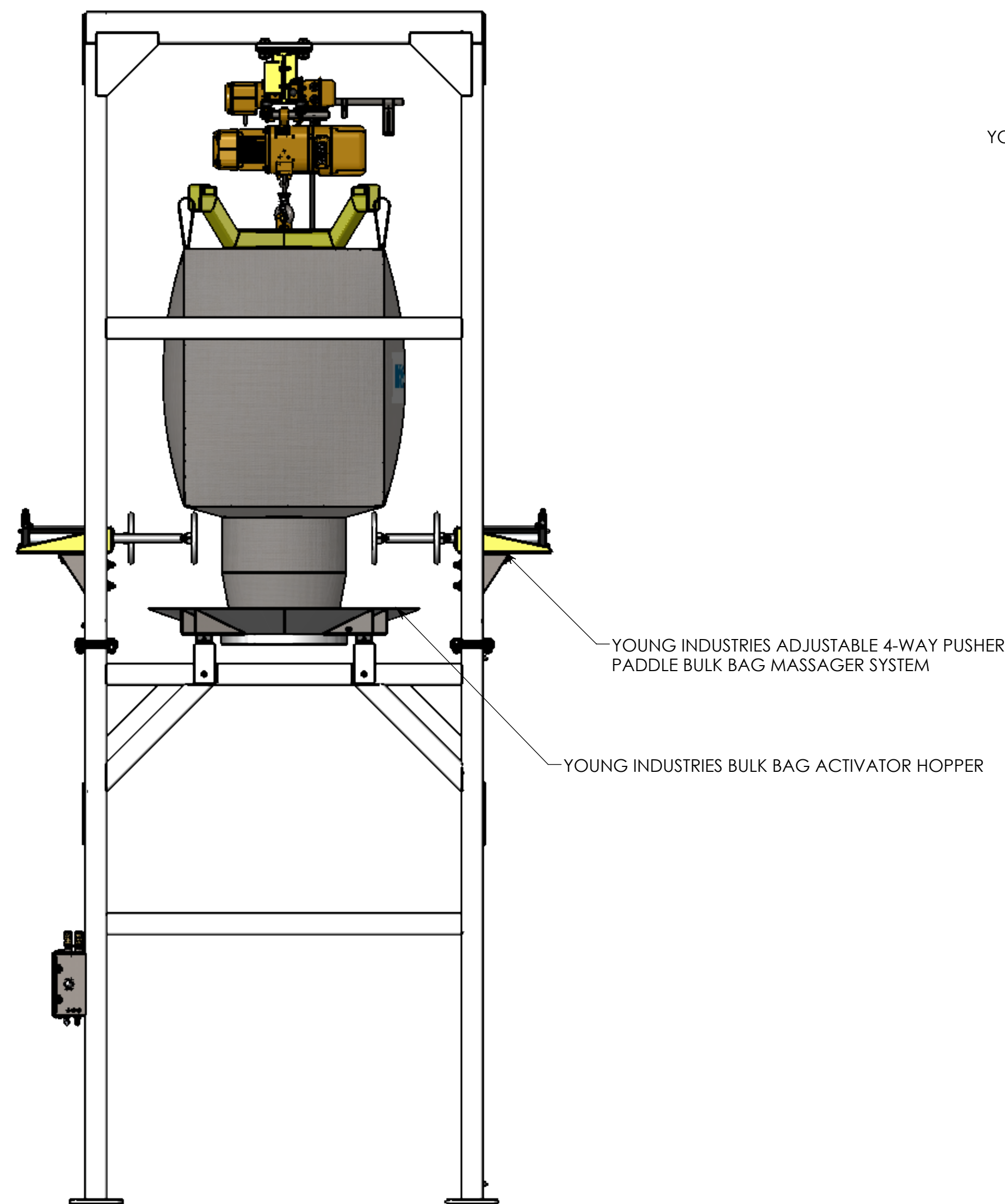
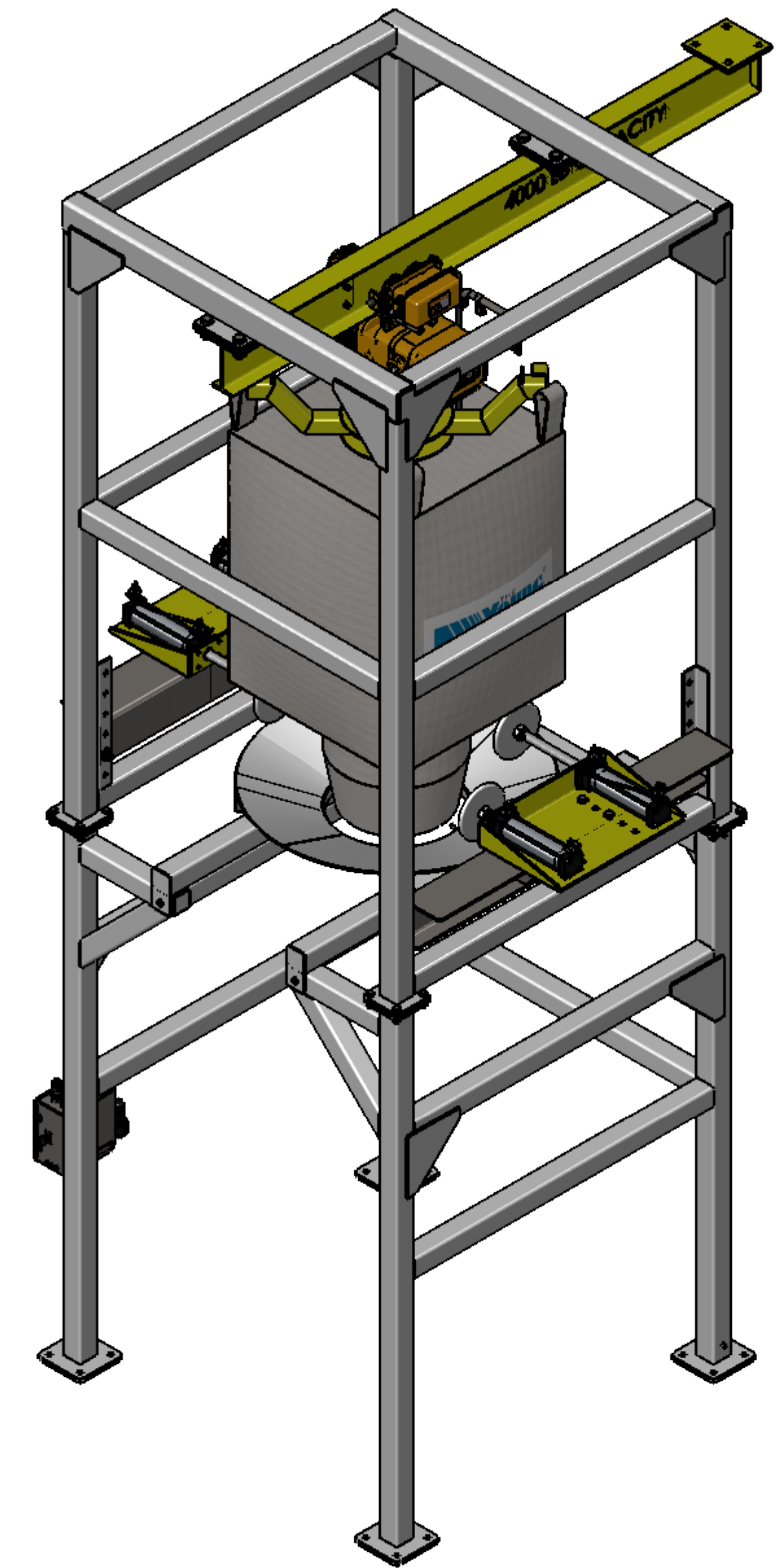
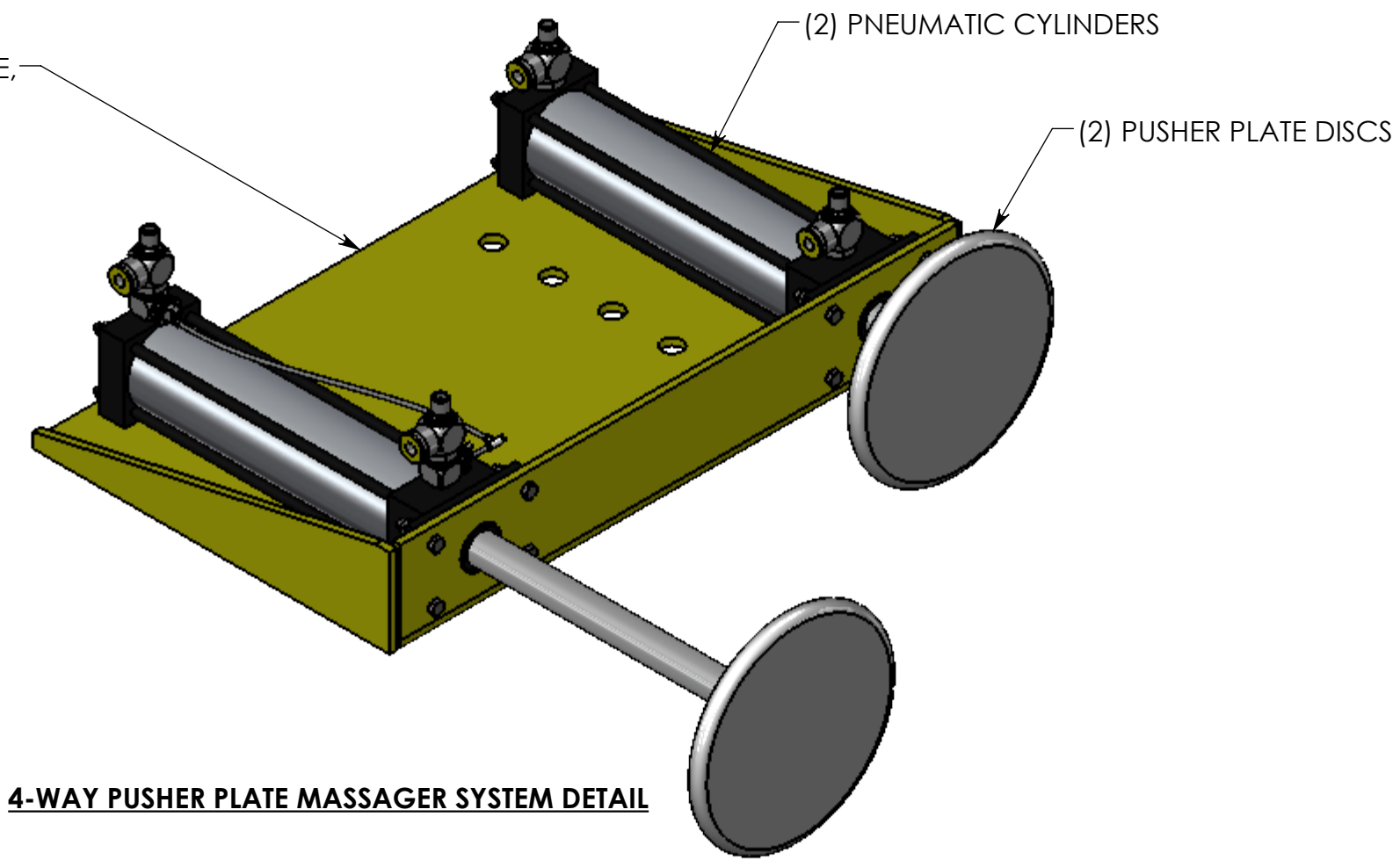


MASSAGER MOUNTING SYSTEM BASE,
ADJUSTABLE TO FIT VARIOUS BULK
BAG SIZES

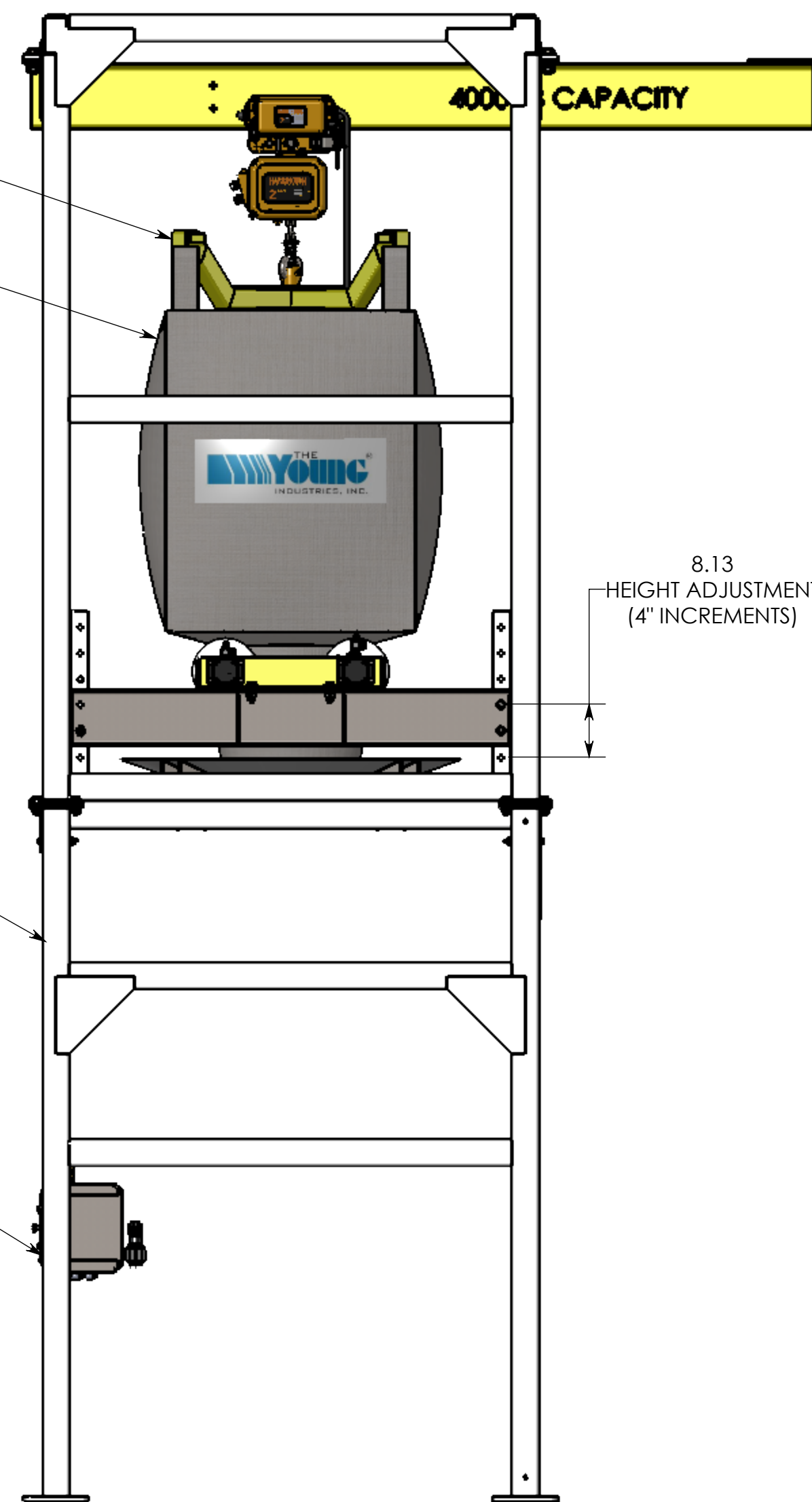


YOUNG INDUSTRIES LOW PROFILE LIFTING BRACKET

BULK BAG

BULK BAG UNLOADING FRAME

4-WAY MASSAGER PANEL, PNEUMATICALLY
OPERATED, 80 PSIG COMPRESSED AIR
REQUIRED, AIR MUST BE CLEAN AND DRY



3			
2			
1			
REV. NO.	DESCRIPTION	DATE	BY

REVISIONS

CUSTOMER *

CUST. NO. *

YOUNG ORDER NO. *

TITLE

ASSEMBLY:
YOUNG INDUSTRIES BULK BAG UNLOADING
STATION WITH 4-WAY PUSHER PLATE
MASSAGING SYSTEM

THE YOUNG INDUSTRIES, INC.
MUNICIPALITY, PENNSYLVANIA 17756
TELEPHONE: 570-546-3165

GENERAL TOLERANCES	
UNLESS OTHERWISE SPECIFIED THE FOLLOWING SHALL APPLY	
MACHINING - .XX= .02 .XXX= .005 ANGLE= .50°	
SURFACE ROUGHNESS HEIGHT 63 MICRONS OR LESS	
FABRICATION - UNDER 6 6 TO 24 24 TO 60 OVER 60	
± .06 ± .12 ± .19 ± .25	
UNLESS OTHERWISE SPECIFIED DIMENSIONS ARE IN INCHES	

Drawn By **BMF** SCALE 1:20

CHECKED BY DATE 10/09/15

DRAWING NUMBER **S-20699-04.00**