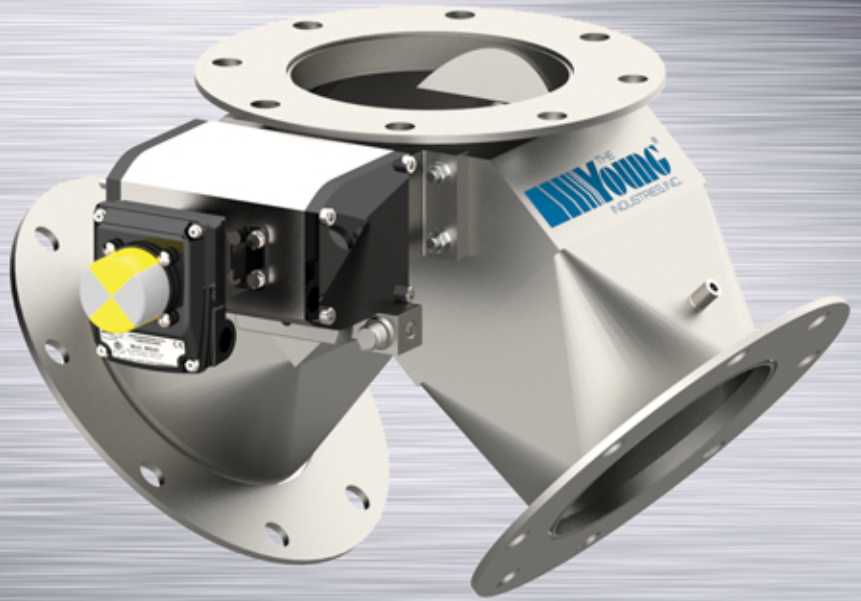


Gravity Flow

BUCKET DIVERTER VALVE



WWW.YOUNGINDS.COM

STANDARD FEATURES:

- ▶ Fabricated carbon steel, aluminum, or 300 series stainless steel
- ▶ Standard operating temperature of 150 degrees F
- ▶ O-ring shaft seal
- ▶ Ball bearing supported diverter shaft
- ▶ Manual or Pneumatic actuation
- ▶ Unique U-shaped diverter gate with no internal seals from leg to leg
- ▶ Dust tight to exterior

OPTIONAL FEATURES:

- ▶ Abrasion resistant gate construction
- ▶ Access/ Inspection covers
- ▶ Exterior painting and coatings to meet customer specifications

**ADVANCED
TECHNOLOGY
PROVEN DESIGN**

TWO-WAY GRAVITY FLOW DIVERTER FOR GRANULAR MATERIALS NO INTERNAL SEALS

Young Industries Model BDV (Bucket) Diverter Valve is designed for handling granular products in gravity flow conditions. The Bucket Valve is available in size 4" thru 12" as standard with larger sizes also available. The Bucket Valve is a Symmetric configuration with one inlet and two discharge connections. The discharge connections can be either 30 degrees or 45 degrees offset from the vertical centerline of the inlet.

The Model BDV Bucket Diverter Valve is constructed of sheet metal and is available with round or square flange connections. The internal diverter gate has no seals and has a unique "U-shaped gate to deflect flow from the inlet to either of the two discharge connections. The simplicity of the Model BDV Bucket Diverter Valve makes it a good choice for handling granular products. The diverter gate is supported by flange type ball bearings and utilizes an O-ring to seal the diverter shaft to the exterior. The Bucket Diverter Valve offers long service life for gravity flow conditions.

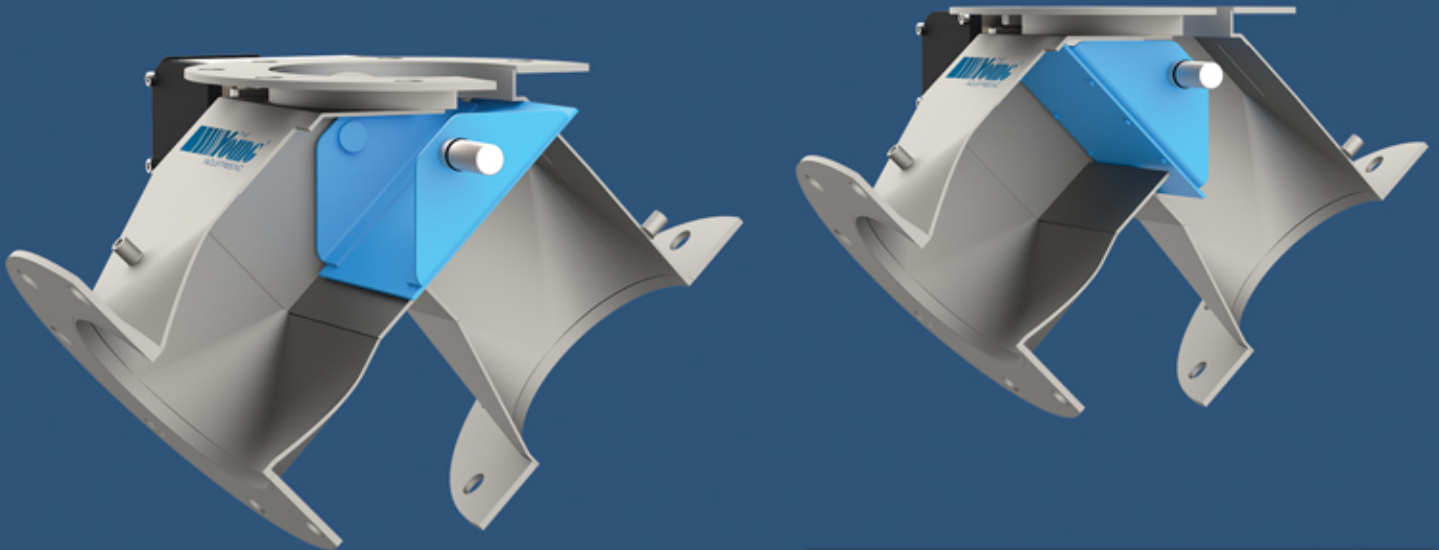
The Model BDV Bucket Diverter Valve is available with manual spring tensioned lever operator, chain wheel, or Rotary Pneumatic Actuator.

BUCKET DIVERter VALVE

Gravity Flow



Simplicity of Operation



Round or Square Flanges Available

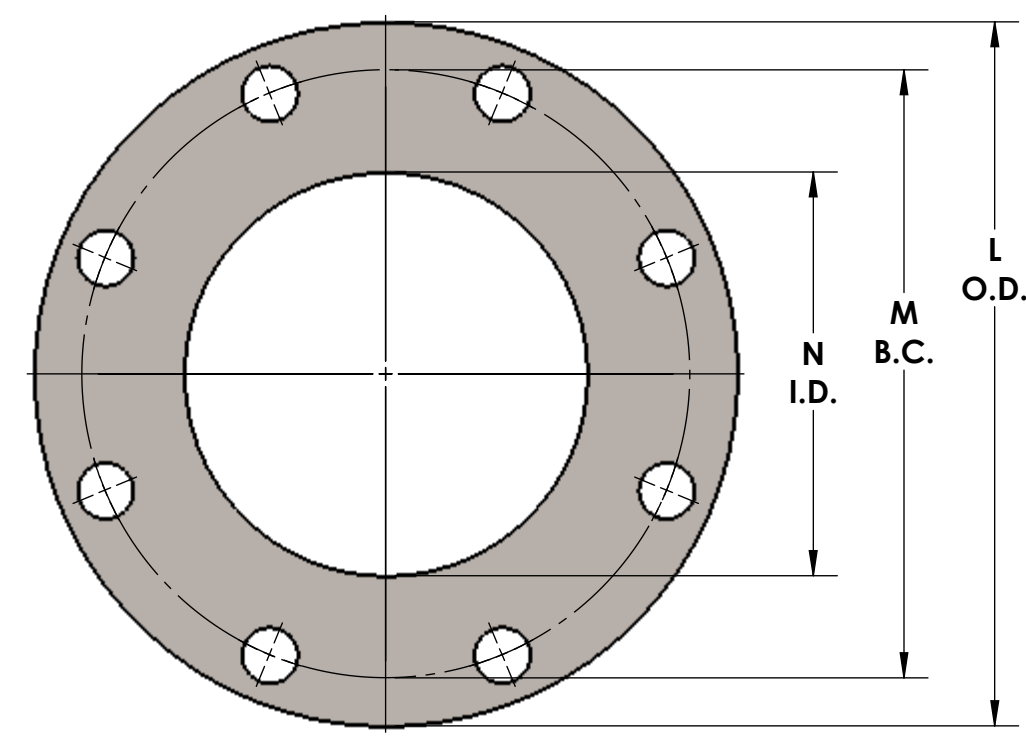
Now Available

Rotary Valve Calculator App

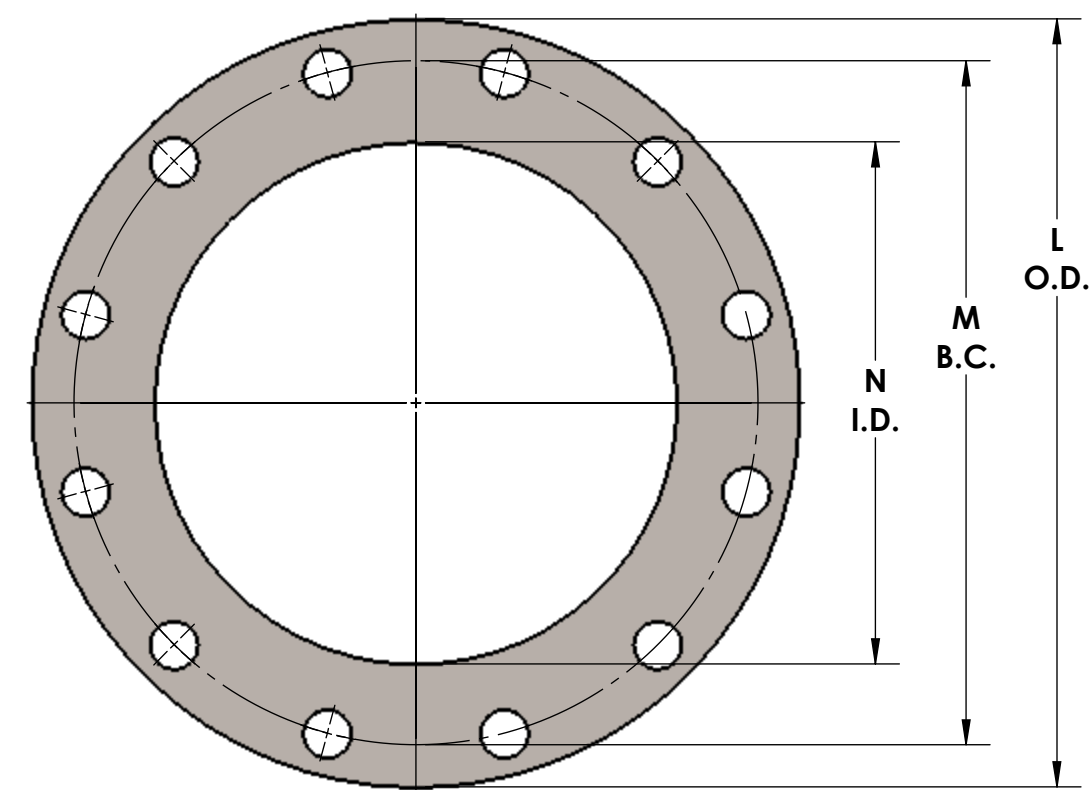


16 PAINTER STREET, MUNCY, PA 17756

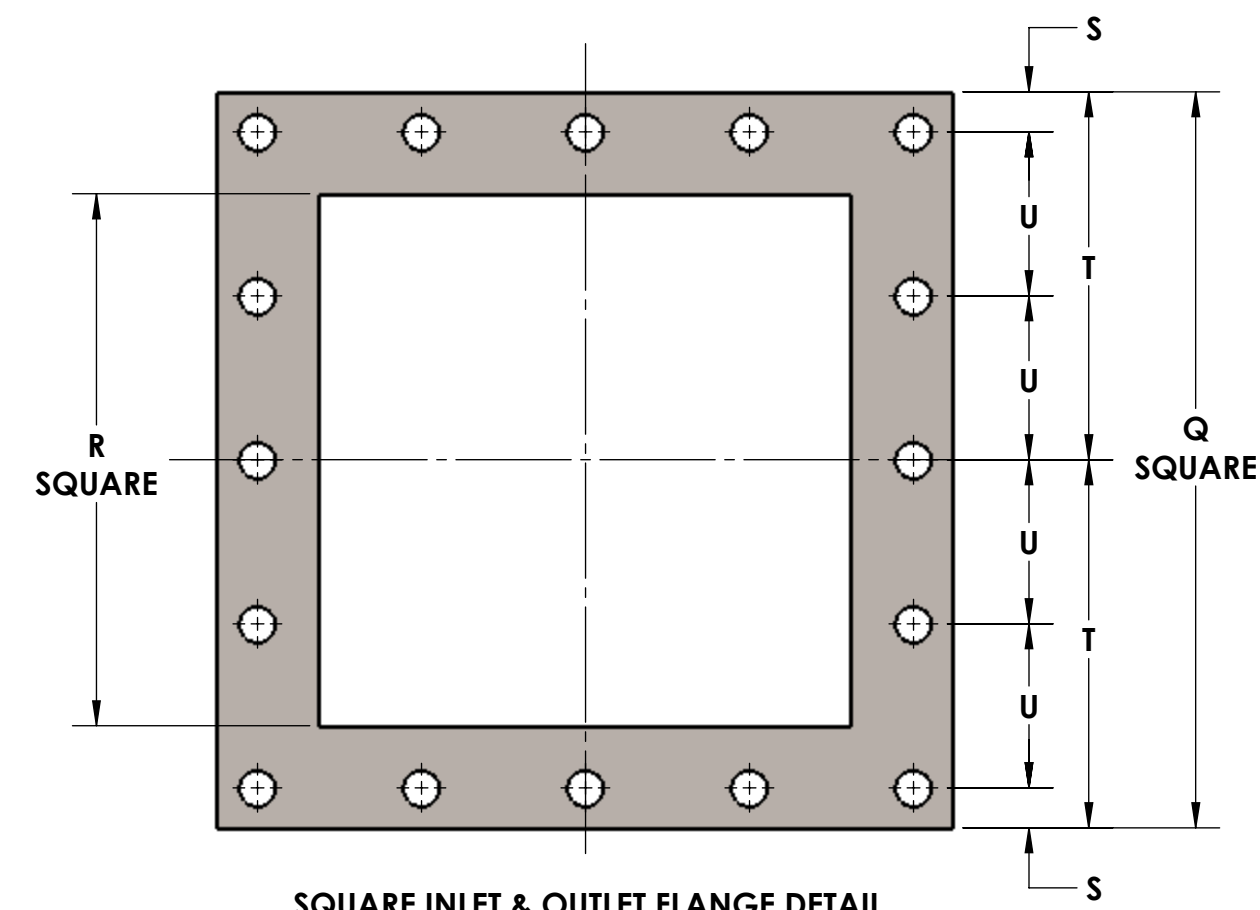
(800) 546-3165 | WWW.YOUNGINDS.COM



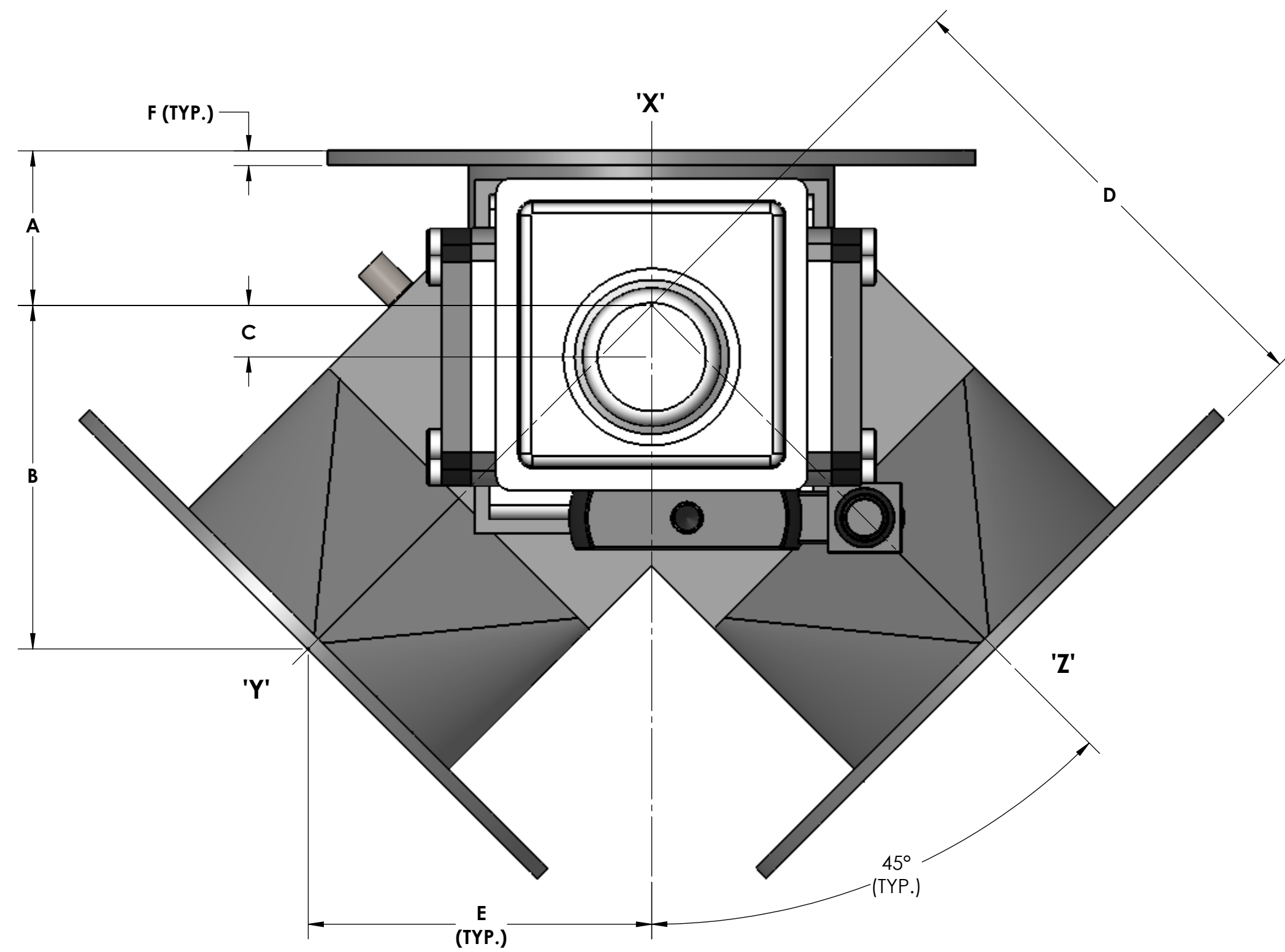
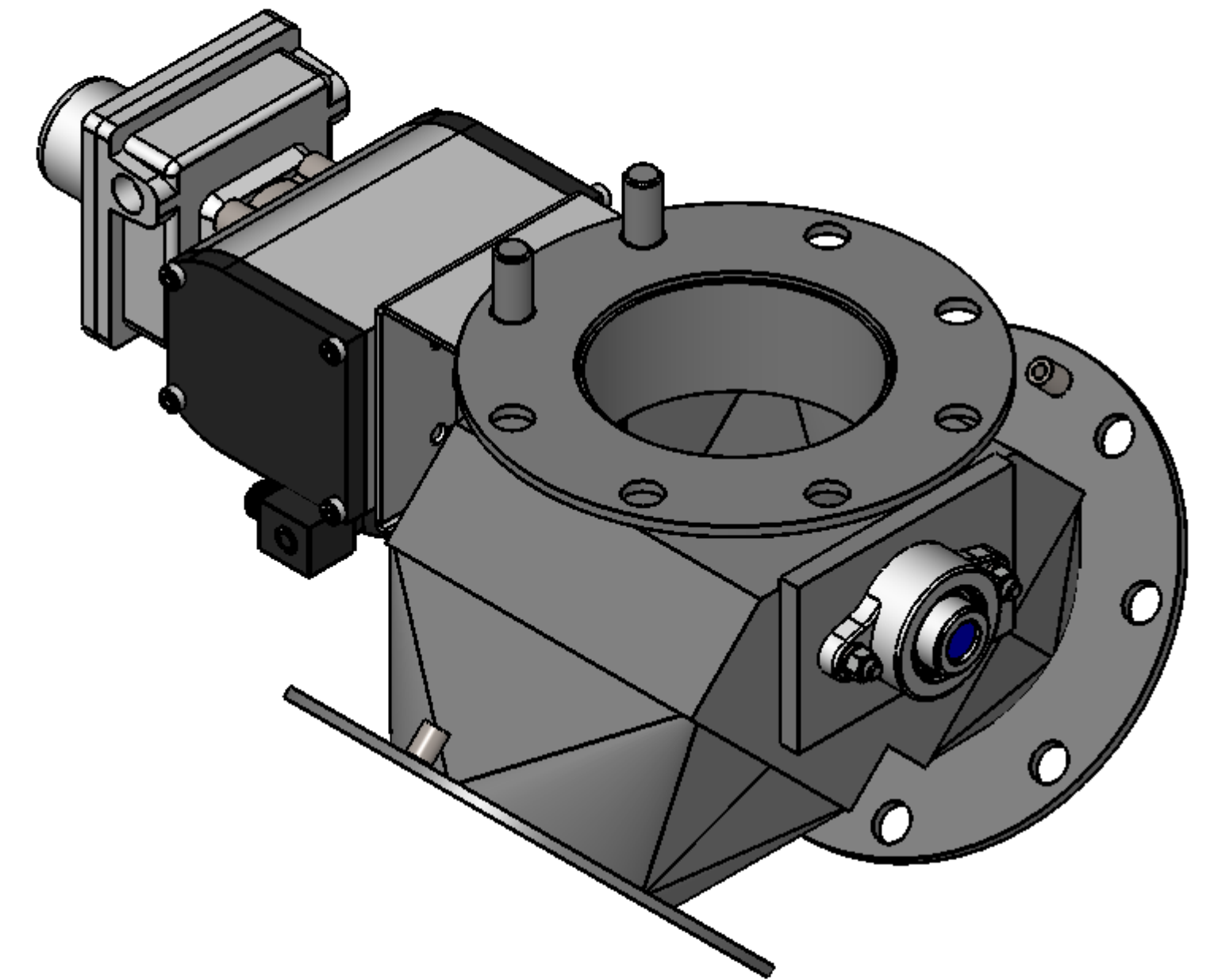
ROUND INLET & OUTLET FLANGE DETAIL
SIZES 4" THRU 8" ONLY
150# ANSI DRILLING



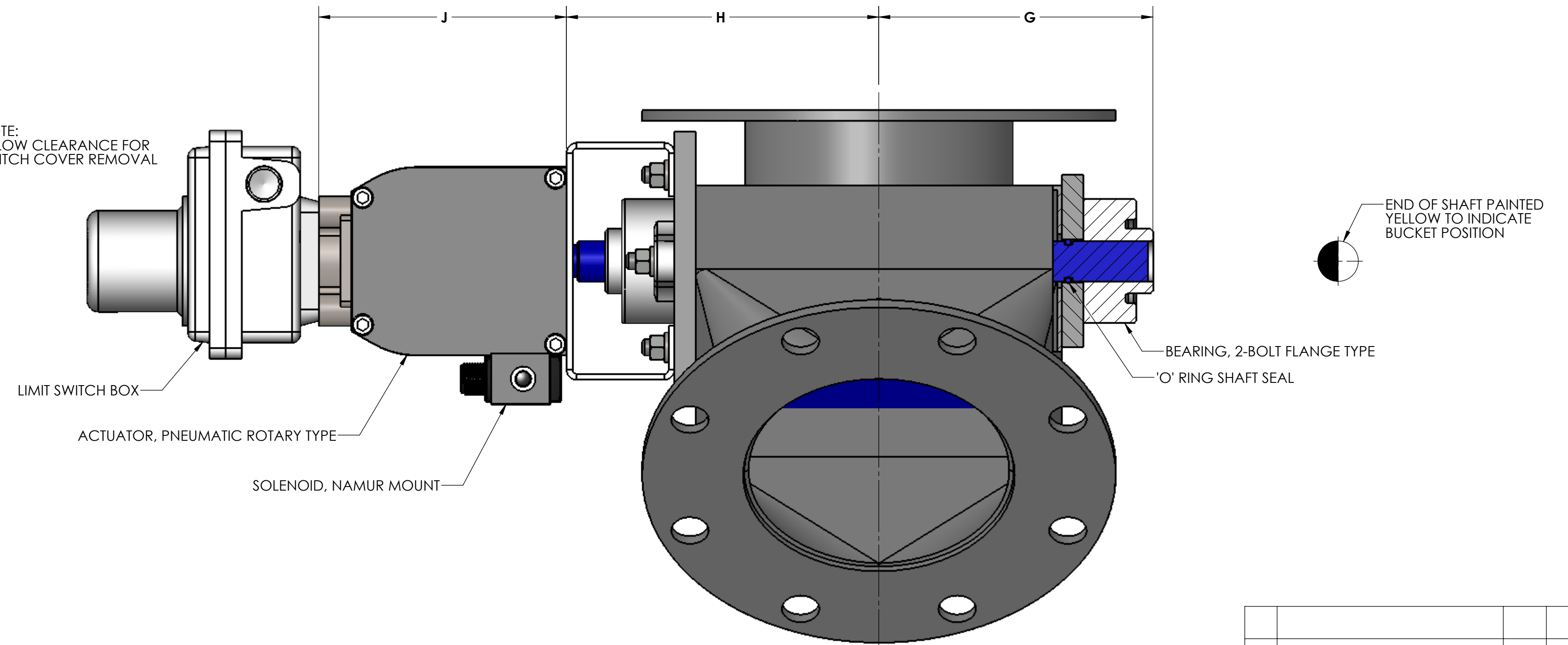
ROUND INLET & OUTLET FLANGE DETAIL
SIZES 10" THRU 16" ONLY
150# ANSI DRILLING



SQUARE INLET & OUTLET FLANGE DETAIL



NOTE:
ALLOW CLEARANCE FOR
SWITCH COVER REMOVAL



END OF SHAFT PAINTED
YELLOW TO INDICATE
BUCKET POSITION

CERTIFICATION	
CUSTOMER:	CUSTOMER NO:
	Y.I. ORDER NO:
	QUANTITY:
MATERIALS OF CONSTRUCTION:	SOLENOIDS:
HOUSING:	TYPE:
SIDE PLATES:	VOLTAGE:
GATE:	ENCLOSURE:
SHAFT:	
SEAL MATERIALS:	LIMIT SWITCHES:
HOUSING:	TYPE:
GATE:	
SHAFT:	ENCLOSURE:
TYPES OF ENDS:	REMARKS:
X:	
Y:	
Z:	
DIMENSIONS ON THIS DRAWING ARE CERTIFIED CORRECT FOR THIS ORDER	
PER:	DATE:
VALVE IS DESIGNED FOR 15 PSIG (MAX) INTERNAL & DIFFERENTIAL PRESSURE @250°F	

Size	A	B	C	D	E	F	G	H	J	L	M	N	P	Q	R	S	T	U	V
4	2.88	7.06	.50	10.00	7.06	.25	4.94	5.44	5.59	9.00	7.50	4.00	.75	7.50	4.00	.62	3.12	-	8
5	2.75	7.06	.56	10.00	7.06	.25	5.44	5.94	5.59	10.00	8.50	5.00	.88	8.50	5.00	.62	3.62	-	8
6	2.38	7.62	.88	10.75	7.62	.25	5.94	6.44	5.59	11.00	9.50	6.00	.88	9.50	6.00	.62	4.12	-	8
8	2.38	7.75	1.25	11.00	7.75	.38	6.94	7.44	5.59	13.50	11.75	8.00	.88	11.50	8.00	.62	5.12	2.56	16
10	2.38	9.18	1.75	13.00	9.18	.38	7.94	8.44	5.59	16.00	14.25	10.00	1.00	14.75	10.00	1.00	6.38	3.19	16
12	2.38	9.38	2.00	13.25	9.38	.38	8.94	9.44	5.59	19.00	17.00	12.00	1.00	16.75	12.00	1.00	7.38	3.69	16

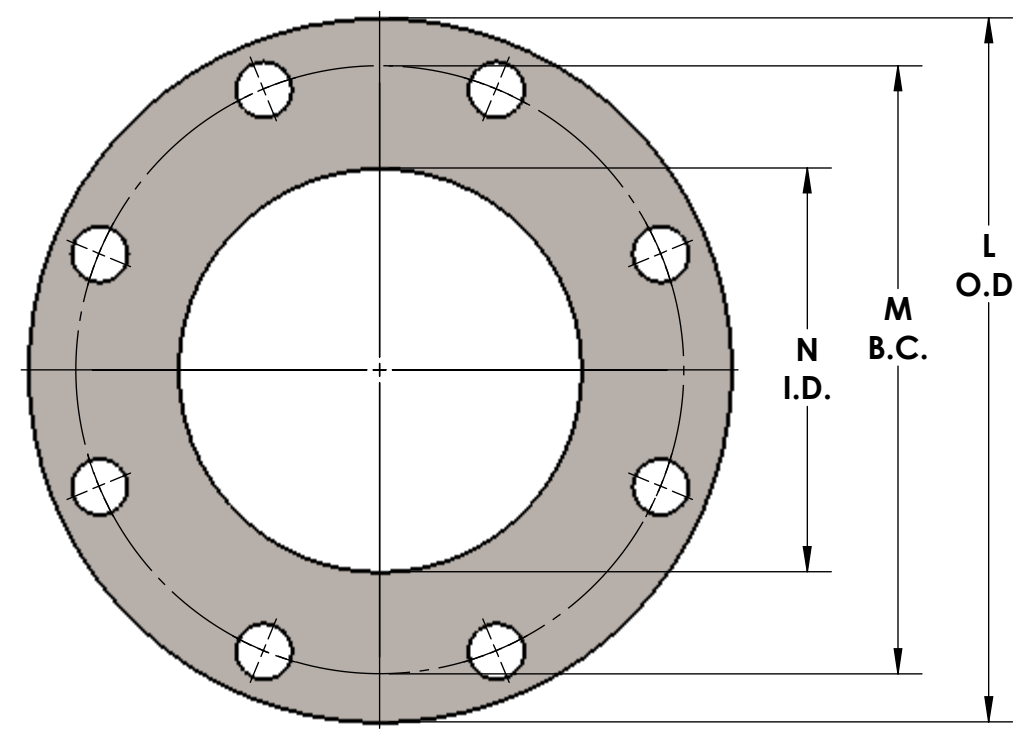
SPECIFICATIONS ARE SUBJECT TO CHANGE WITHOUT NOTIFICATION

NOTES:

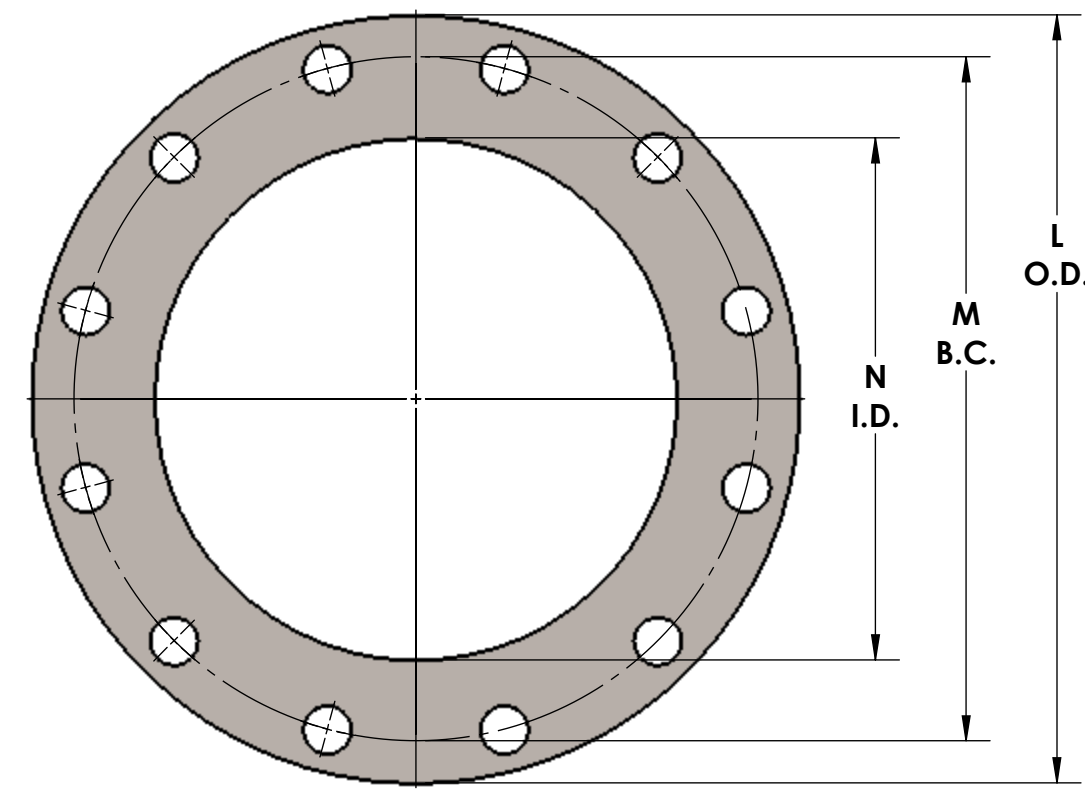
- VALVES ARE OF FABRICATED CONSTRUCTION AND AVAILABLE IN STEEL, ALUMINUM OR STAINLESS STEEL
- VALVES ARE AVAILABLE WITH ROUND OR SQUARE FLANGED ENDS, OR PLAIN ENDS

GENERAL TOLERANCES	
UNLESS OTHERWISE SPECIFIED THE FOLLOWING SHALL APPLY	
MACHINING - .XX=	.02 .XXX= .005 ANGLE= .50°
SURFACE ROUGHNESS HEIGHT 63 MICRONS OR LESS	
FABRICATION - UNDER 6	6 TO 24 24 TO 60 OVER 60
	±.06 ±.12 ±.19 ±.25
UNLESS OTHERWISE SPECIFIED DIMENSIONS ARE IN INCHES	

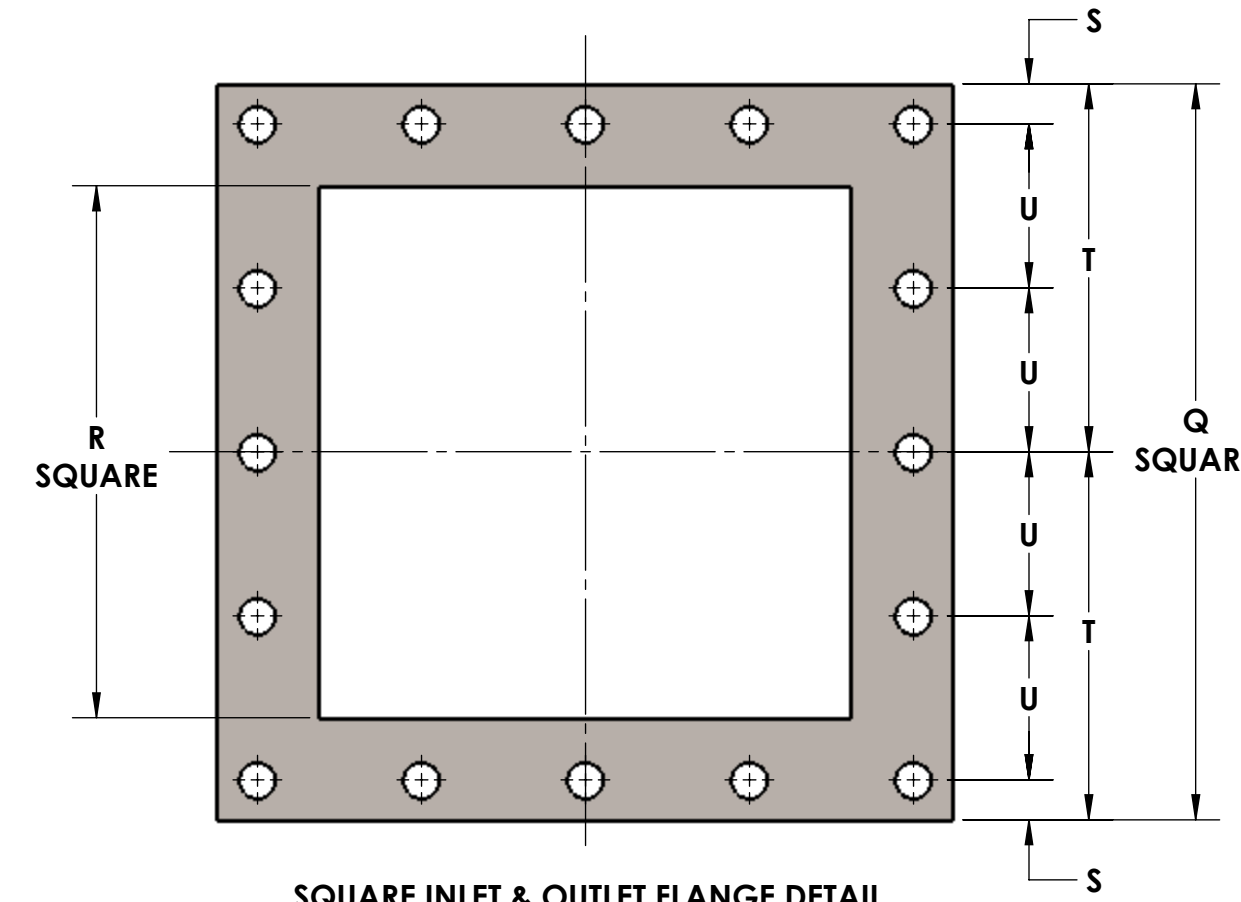
REV. NO.	DESCRIPTION	DATE	BY
REVISIONS			
CUSTOMER:			
CUST. NO.:			
YOUNG ORDER NO.:			
TITLE			
YOUNG INDUSTRIES VALVE, MODEL 'BDV', 45 DEGREE, W/ PNEUMATIC ACTUATOR, STANDARD DIMENSION SHEET			
MUNCY, PENNSYLVANIA 17756			
TELEPHONE: 570-546-3165			
DRAWN BY: BMF	DATE DRAWN: 4/19/16		
CHECKED BY:	SCALE: 1:2		
DRAWING NUMBER	S-4-7509		
			REV:



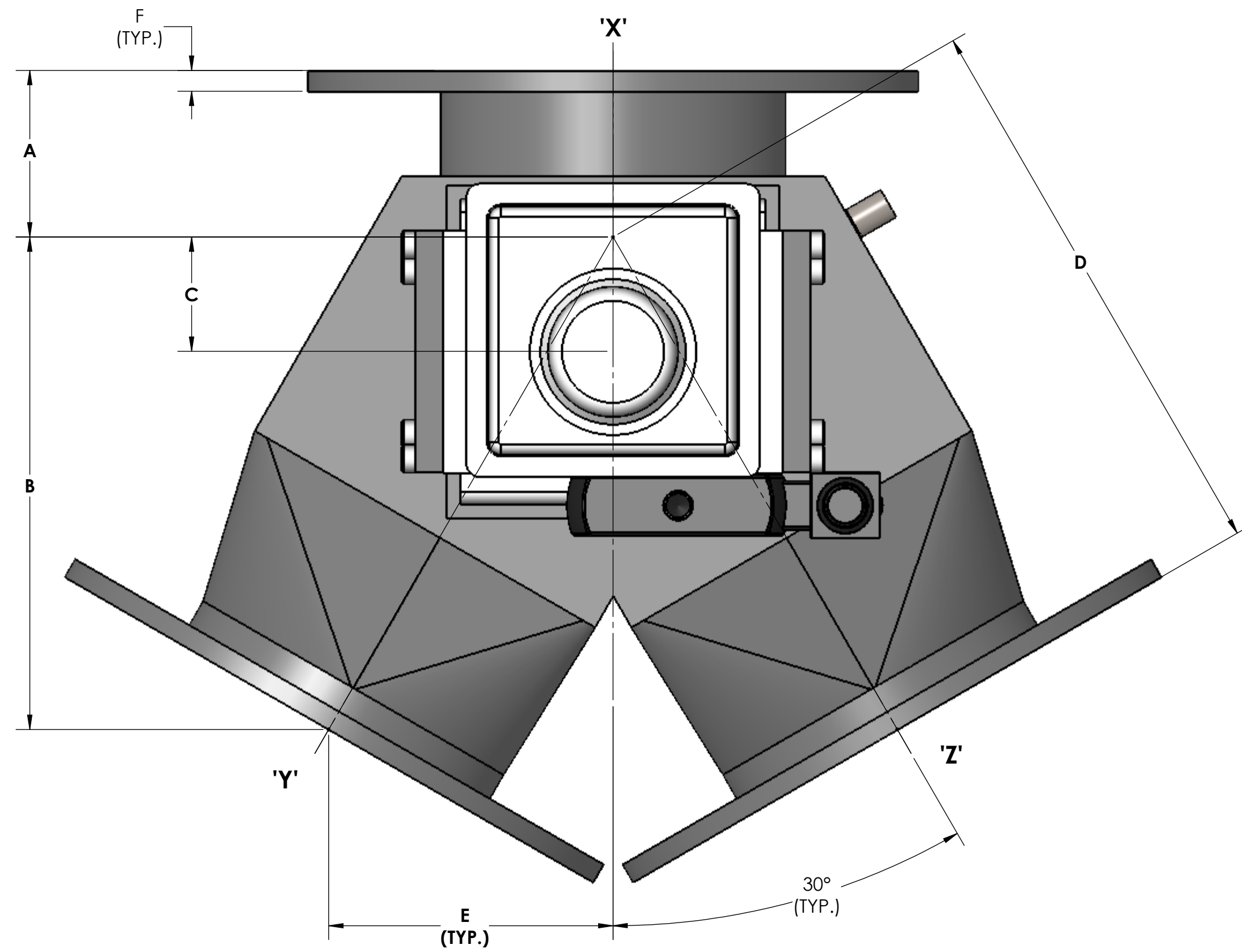
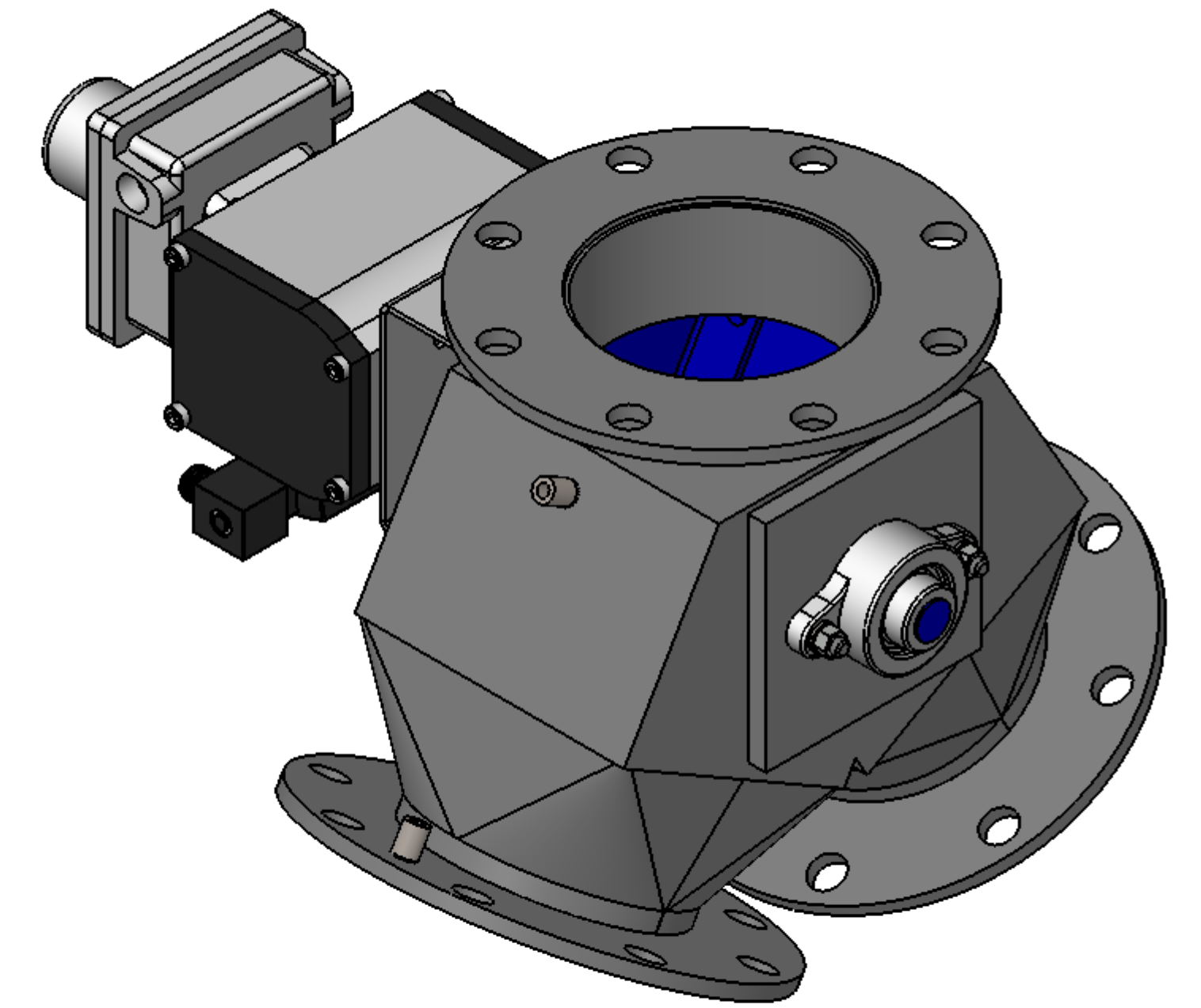
ROUND INLET & OUTLET FLANGE DETAIL
SIZES 4" THRU 8" ONLY
150# ANSI DRILLING



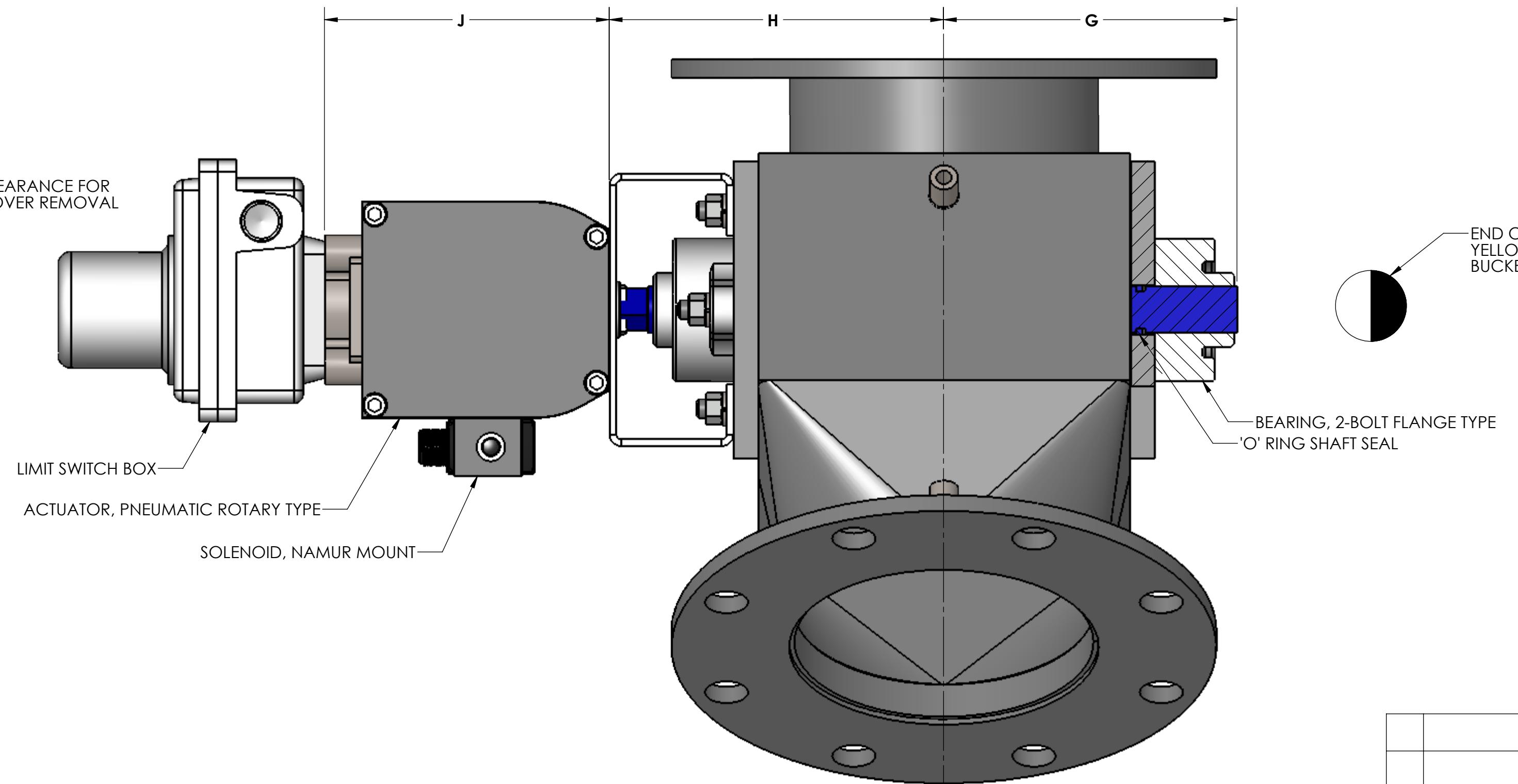
ROUND INLET & OUTLET FLANGE DETAIL
SIZES 10" THRU 16" ONLY
150# ANSI DRILLING



SQUARE INLET & OUTLET FLANGE DETAIL



NOTE:
ALLOW CLEARANCE FOR
SWITCH COVER REMOVAL



END OF SHAFT PAINTED
YELLOW TO INDICATE
BUCKET POSITION

BEARING, 2-BOLT FLANGE TYPE
O-RING SHAFT SEAL

CERTIFICATION

CUSTOMER:	CUSTOMER NO:
	Y.I. ORDER NO:
	QUANTITY:
MATERIALS OF CONSTRUCTION:	SOLENOIDS:
HOUSING:	TYPE:
SIDE PLATES:	VOLTAGE:
GATE:	ENCLOSURE:
SHAFT:	
SEAL MATERIALS:	LIMIT SWITCHES:
HOUSING:	TYPE:
GATE:	
SHAFT:	ENCLOSURE:
TYPES OF ENDS:	REMARKS:
X:	
Y:	
Z:	

Size	A	B	C	D	E	F	G	H	J	L	M	N	P	Q	R	S	T	U	V
4	3.38	7.38	1.06	8.50	4.25	.25	4.94	5.44	5.59	9.00	7.50	4.00	.75	7.50	4.00	.62	3.12	-	8
5	3.12	8.19	1.69	9.50	4.75	.25	5.44	5.94	5.59	10.00	8.50	5.00	.88	8.50	5.00	.62	3.62	-	8
6	3.00	8.88	2.06	10.25	5.12	.25	5.94	6.44	5.59	11.00	9.50	6.00	.88	9.50	6.00	.62	4.12	-	8
8	3.00	10.81	2.75	12.50	6.25	.38	6.94	7.44	5.59	13.50	11.75	8.00	.88	11.50	8.00	.62	5.12	2.56	16
10	2.62	12.56	3.75	14.50	7.25	.38	7.94	8.44	5.59	16.00	14.25	10.00	1.00	14.75	10.00	1.00	6.38	3.19	16
12	2.62	14.94	4.56	17.25	8.62	.38	8.94	9.44	5.59	19.00	17.00	12.00	1.00	16.75	12.00	1.00	7.38	3.69	16

SPECIFICATIONS ARE SUBJECT TO CHANGE WITHOUT NOTIFICATION

NOTES:

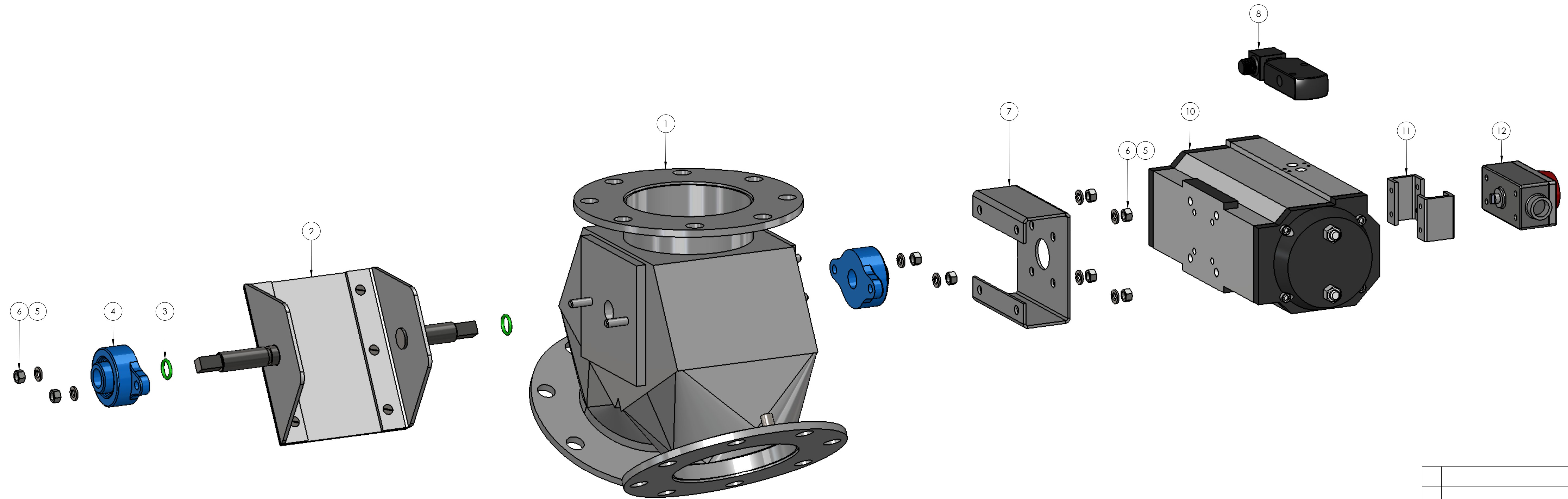
- VALVES ARE OF FABRICATED CONSTRUCTION AND AVAILABLE IN STEEL, ALUMINUM OR STAINLESS STEEL
- VALVES ARE AVAILABLE WITH ROUND OR SQUARE FLANGED ENDS, OR PLAIN ENDS

GENERAL TOLERANCES	
UNLESS OTHERWISE SPECIFIED THE FOLLOWING SHALL APPLY	
MACHINING - .XX= .02 .XXX= .005 ANGLE= .50°	
SURFACE ROUGHNESS HEIGHT 63 MICRORINCHES OR LESS	
FABRICATION - UNDER 6" 6 TO 24" 24 TO 60"	
± .06 ± .12 ± .19 ± .25	
UNLESS OTHERWISE SPECIFIED DIMENSIONS ARE IN INCHES	


REV. NO.	DESCRIPTION	DATE	BY
REVISIONS			
CUSTOMER			
CUST. NO.			
YOUNG ORDER NO.			
TITLE			
THE YOUNG INDUSTRIES, INC. MUNCY, PENNSYLVANIA 17756 TELEPHONE: 570-546-3165			
DRAWN BY: BMF	DATE DRAWN: 4/20/16		
CHECKED BY:	SCALE: 1:2		
DRAWING NUMBER	S-4-7510		REV:

VALVE IS DESIGNED FOR 15 PSIG (MAX) INTERNAL & DIFFERENTIAL PRESSURE @250°F

ITEM NO.	QTY.	DESCRIPTION
1	1	HOUSING BODY, SIZE 8X30 BUCKET DIVERTER VALVE
2	1	BUCKET ASSY, DIVERTER VALVE
3	2	O-RING
4	2	2-BOLT FLANGE BEARING
5	8	WASHER, LOCK, REGULAR, .38 DIA.
6	8	NUT, HEX, .38-16UNC
7	1	ACTUATOR MOUNTING BRACKET
8	1	SOLENOID VALVE, .25 NPT
9	3	GROUNDING STUD (#095280).
10	1	ACTUATOR, PNEUMATIC, MAX-AIR
11	2	LIMIT SWITCH MOUNTING BRACKET, MAX-AIR
12	1	LIMIT SWITCH, MAX-AIR



REV. NO.	DESCRIPTION	DATE	BY
REVISIONS			
CUSTOMER: *			
CUSTOMER PO NUMBER: *			
YOUNG JOB NUMBER: *			
TITLE YOUNG INDUSTRIES MODEL 'BDV' BUCKET DIVERTER VALVE, EXPLODED VIEW			


THE YOUNG INDUSTRIES, INC.
 MUNCY, PENNSYLVANIA 17756
 TELEPHONE: 570-546-3165

DRAWN BY: BMF	DATE: 10/15/18
CHECKED BY:	SCALE: 1:2.5
DRAWING NUMBER: S-BDV-EXP	SHEET 1 OF 1
	REV: 00

GENERAL TOLERANCES	
UNLESS OTHERWISE SPECIFIED THE FOLLOWING SHALL APPLY	
MACHINING - .XX= .02 .XXX= .005 ANGLE= .50°	
SURFACE ROUGHNESS HEIGHT 63 MICRONS OR LESS	
FABRICATION - UNDER 6 6 TO 24 24 TO 60 OVER 60	
± .06 ± .12 ± .19 ± .25	
UNLESS OTHERWISE SPECIFIED DIMENSIONS ARE IN INCHES	