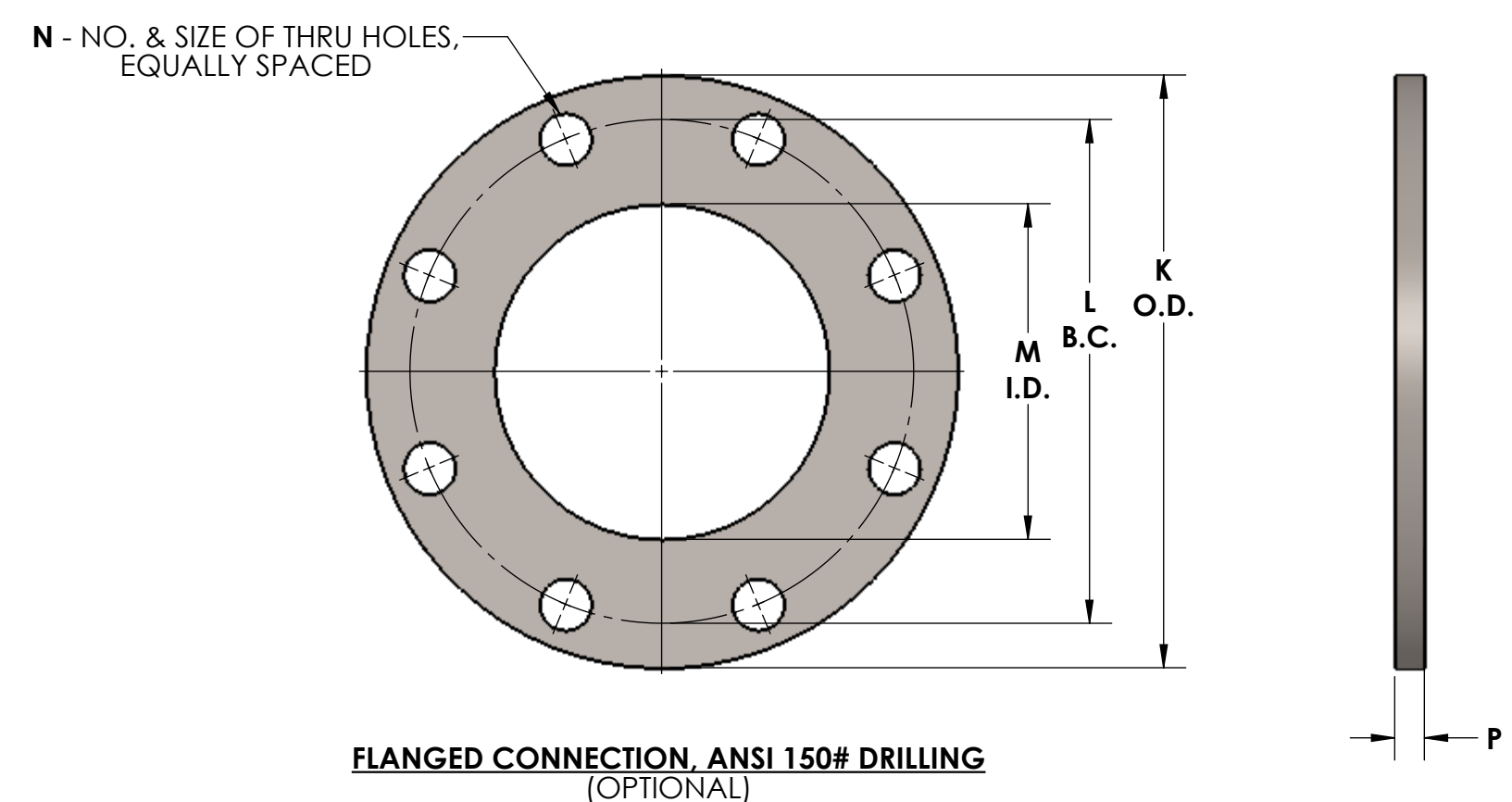


MANUAL ACTUATOR WITH HANDWHEEL



CERTIFICATION	
CUSTOMER: _____	CUSTOMER NO: _____
	Y.I. ORDER NO: _____
	QUANTITY: _____
MATERIALS OF CONSTRUCTION:	SOLENOIDS:
HOUSING: _____	TYPE: _____
SIDE PLATES: _____	VOLTAGE: _____
GATE: _____	ENCLOSURE: _____
SHAFT: _____	
SEAL MATERIALS:	LIMIT SWITCHES:
HOUSING: _____	TYPE: _____
GATE: _____	ENCLOSURE: _____
SHAFT: _____	REMARKS: _____
TYPES OF ENDS:	
X: _____	
Y: _____	
Z: _____	
DIMENSIONS ON THIS DRAWING ARE CERTIFIED CORRECT FOR THIS ORDER	
PER: _____	DATE: _____
VALVE IS DESIGNED FOR 15 PSIG (MAX) INTERNAL & DIFFERENTIAL PRESSURE @250°F	

SIZE	A	B	C	D	E	F	F1	G	H	J	L	M	N	P	WEIGHT LBS C/S
2	17.69	13.00	6.44	6.50	4.00	15.62	8.75	4.38	19.94	-	6.00	4.75	(4) .75	.25	60
3	19.88	13.00	8.62	6.50	4.00	16.00	9.50	4.69	20.69	-	7.50	6.00	(4) .75	.38	95
4	23.12	15.56	9.62	7.78	4.00	18.50	10.75	5.44	23.94	-	9.00	7.50	(8) .75	.38	145
5	24.12	16.75	9.62	8.38	4.00	19.25	12.06	6.25	25.50	-	10.00	8.50	(8) .88	.50	235
6	25.62	18.25	9.62	9.12	4.00	20.00	13.25	6.81	26.81	-	11.00	9.50	(8) .88	.50	345
8	28.00	21.25	9.81	10.62	4.00	23.50	17.06	8.81	32.31	-	13.50	11.75	(8) .88	.50	520
10	34.81	25.62	12.62	12.81	6.00	24.50	18.62	9.81	34.31	-	16.00	14.25	(12) 1.00	.50	720
12	36.12	26.88	12.88	13.44	6.00	25.50	22.12	10.81	36.31	-	19.00	17.00	(12) 1.00	.50	870

- NOTES:**
- HOUSING, SIDE PLATES, AND GATE ARE OF CAST CONSTRUCTION. AVAILABLE IN IRON, ALUMINUM, STEEL AND STAINLESS STEEL
  - ALL VALVES ARE FURNISHED WITH PLAIN ENDS IN PIPE SIZE. (STANDARD) OPTIONAL ENDS AVAILABLE ARE TUBING SIZE, AND WITH FLANGES.
  - HOUSINGS ARE DESIGNED FOR 15 PSI MAX AT 250 DEGREES F.
  - RIGHT HAND ASSEMBLY IS SHOWN WITH SIDE BRANCH 'Z' ON RIGHT SIDE AND ACTUATOR ON NEAR SIDE. LEFT HAND ASSEMBLY IS WITH SIDE BRANCH 'Z' ON LEFT SIDE AND ACTUATOR ON NEAR SIDE

GENERAL TOLERANCES	
UNLESS OTHERWISE SPECIFIED THE FOLLOWING SHALL APPLY	
MACHINING - .XX= .02 .XXX= .005 ANGLE= .50°	
SURFACE ROUGHNESS HEIGHT 63 MICRONS OR LESS	
FABRICATION - UNDER 6 6 TO 24 24 TO 60 OVER 60	
± .06 ± .12 ± .19 ± .25	
UNLESS OTHERWISE SPECIFIED DIMENSIONS ARE IN INCHES	

REV. NO.	DESCRIPTION	DATE	BY
REVISIONS			
CUSTOMER: _____			
CUST. NO. _____			
YOUNG ORDER NO. _____			
TITLE YOUNG INDUSTRIES MODEL 'C' SWING GATE DIVERTER VALVE MANUAL ACTUATED STANDARD DIMENSION SHEET			
<b>THE YOUNG INDUSTRIES, INC.</b> HUNCY, PENNSYLVANIA 17756 TELEPHONE: 570-546-3165			
DRAWN BY: <b>BMF</b>	DATE DRAWN: <b>3/28/16</b>		
CHECKED BY: _____	SCALE: <b>1:2</b>		
DRAWING NUMBER	<b>S-4-6327</b>		REV: _____