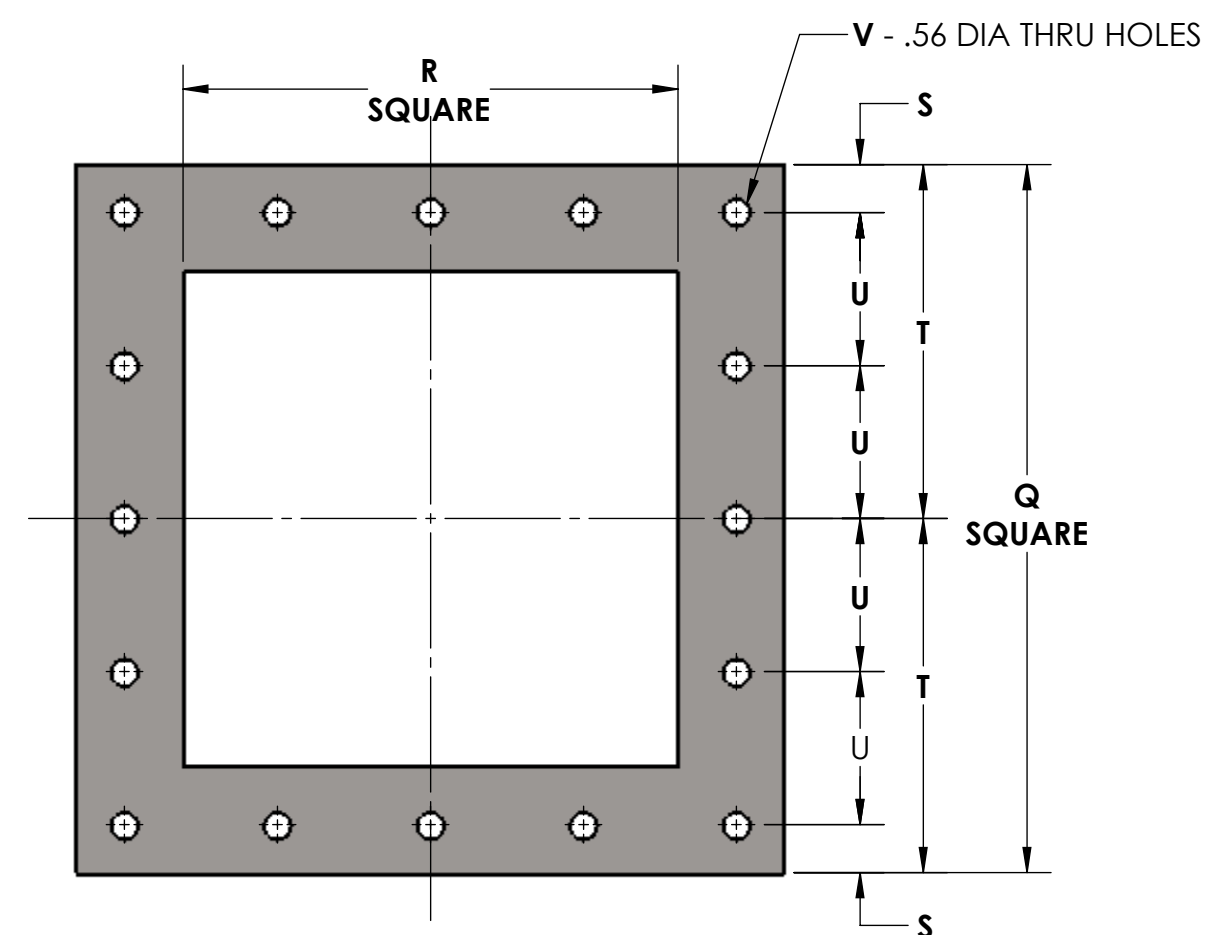
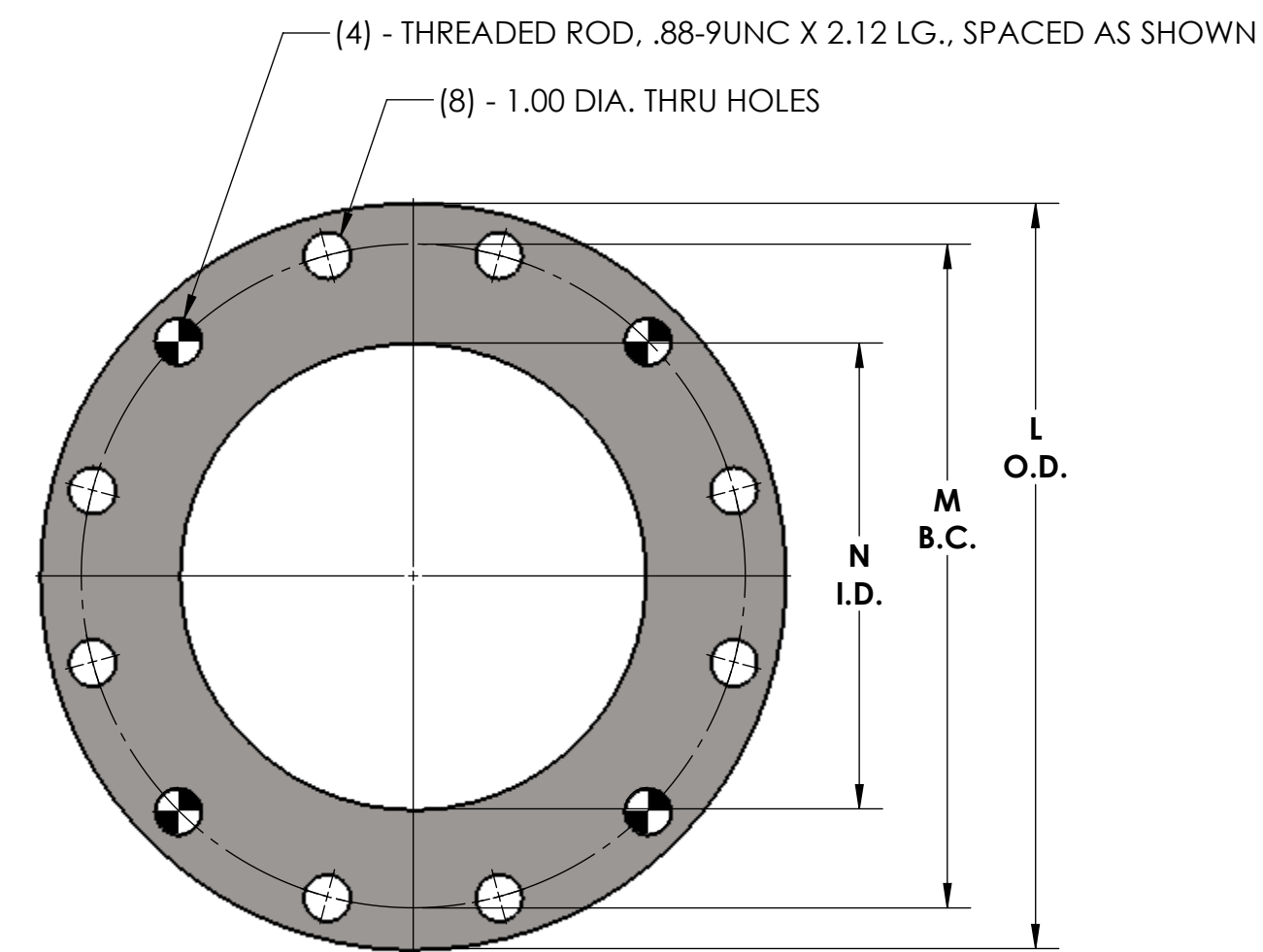


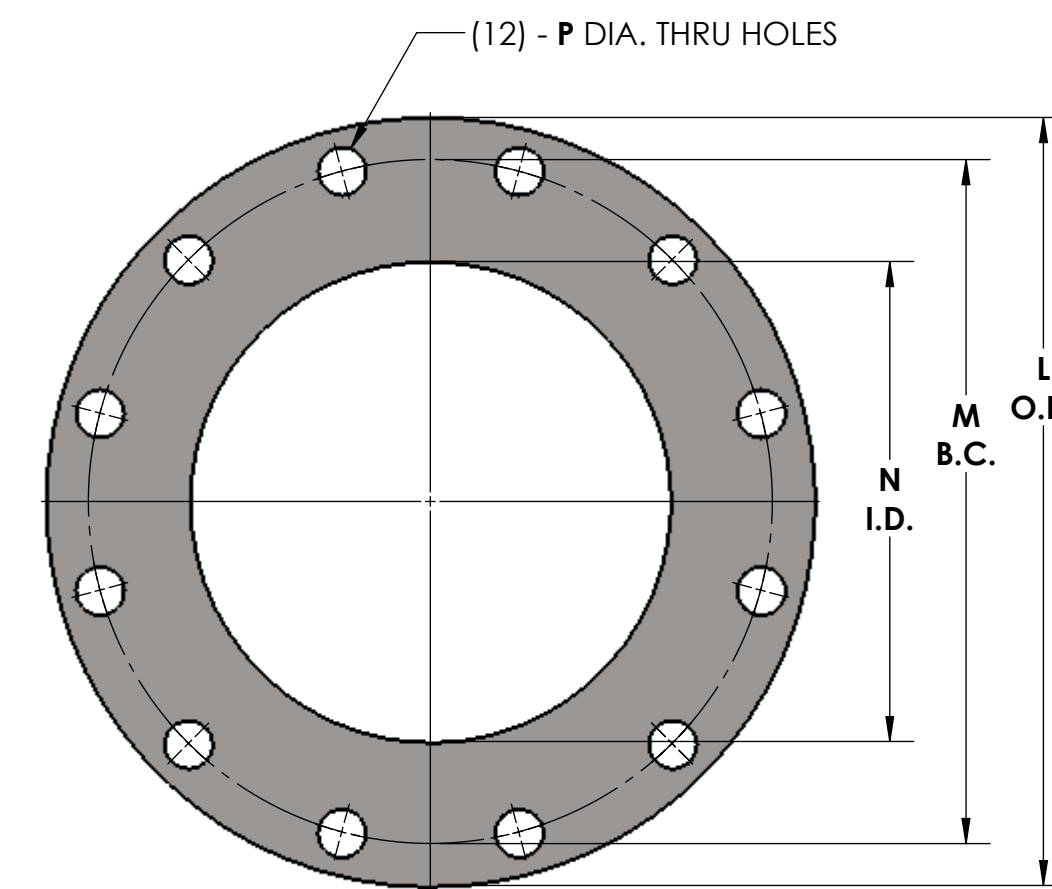
**ROUND INLET & OUTLET FLANGE DETAIL**  
SIZES 4" THRU 8" ONLY  
150 # ANSI DRILLING



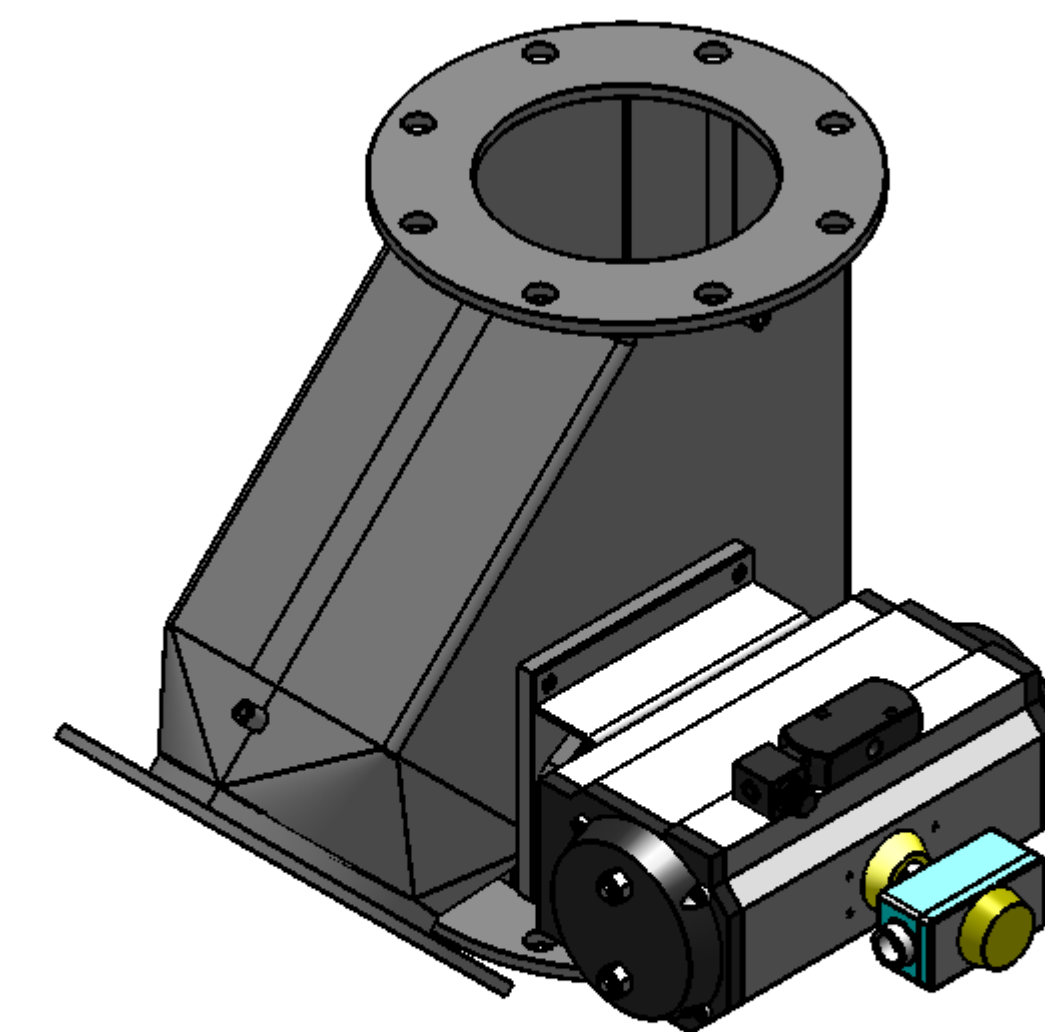
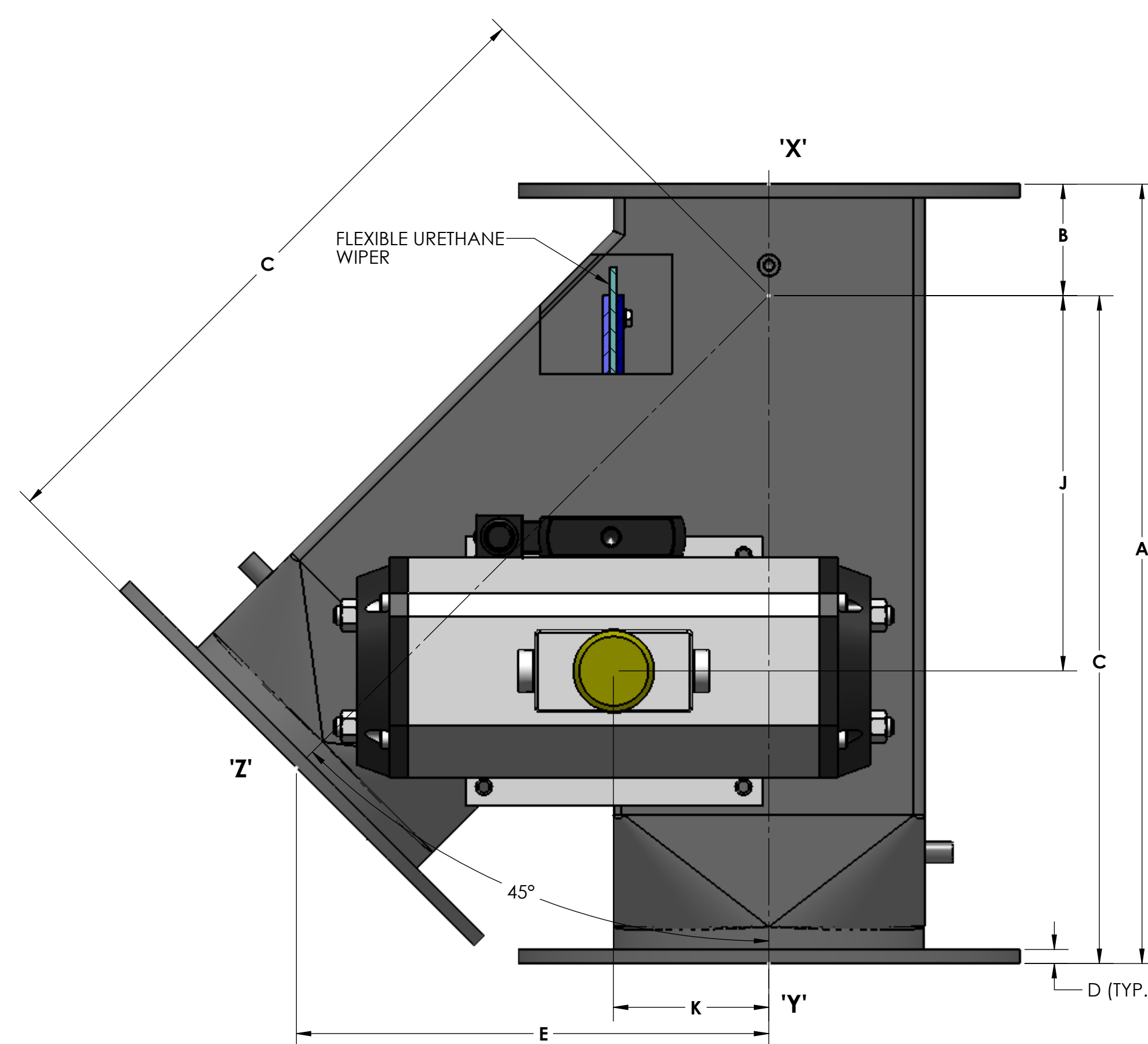
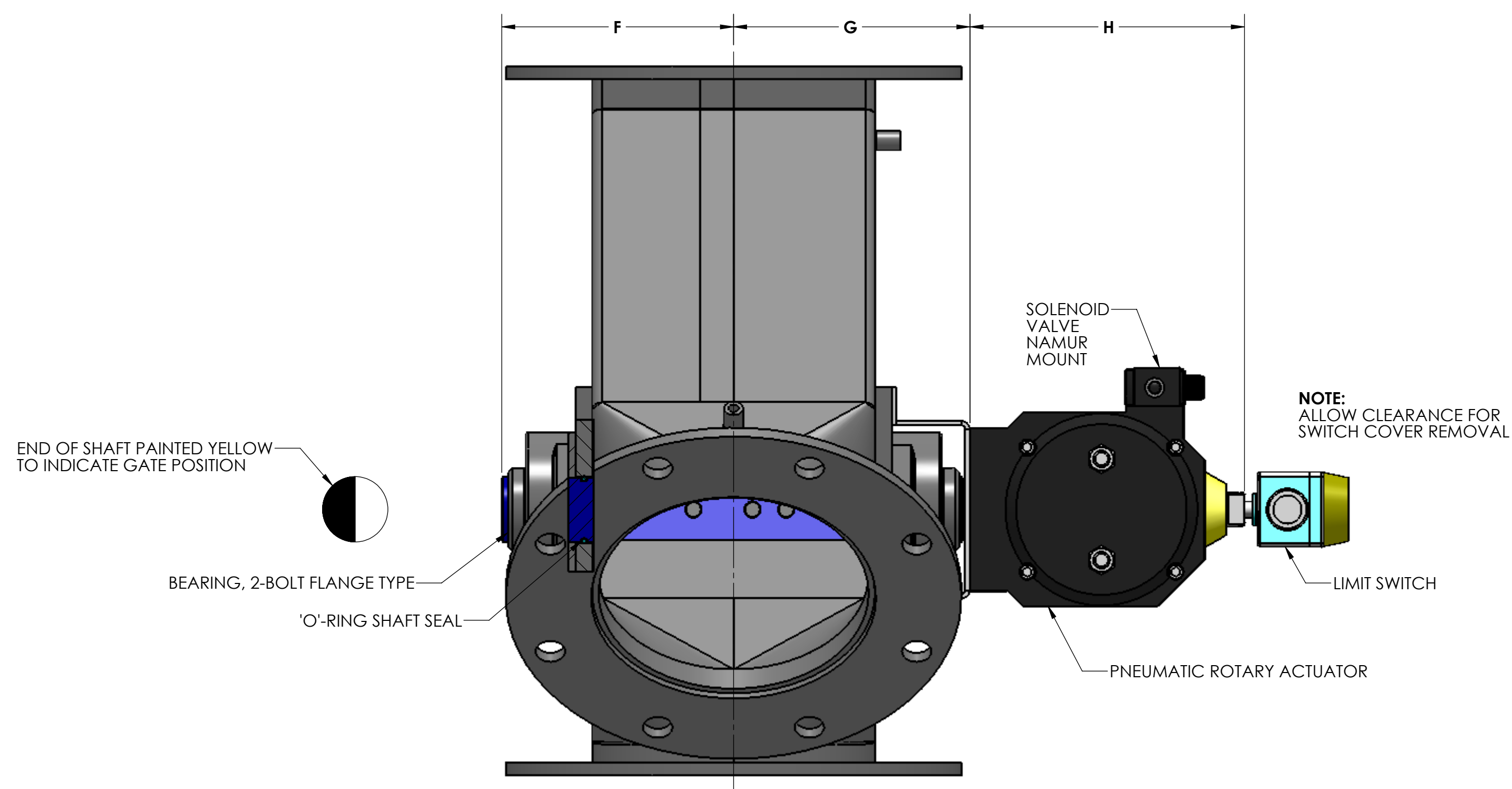
**SQUARE INLET & OUTLET FLANGE DETAIL**



**ROUND INLET FLANGE DETAIL**  
SIZES 10" & 12" ONLY  
150 # ANSI DRILLING



**ROUND OUTLET FLANGE DETAIL**  
SIZES 10" & 12" ONLY  
150 # ANSI DRILLING



Size	A	B	C	D	E	F	G	H	J	K	L	M	N	P	Q	R	S	T	U	V
4	14.50	3.00	11.50	.25	8.12	4.44	4.50	5.59	5.09	2.12	9.00	7.50	4	.75	7.50	4.00	.62	3.12	-	8
5	17.25	3.00	14.25	.25	10.06	4.94	4.94	5.59	6.28	2.62	10.00	8.50	5	.88	8.50	5.00	.62	3.62	-	8
6	17.75	3.00	14.75	.25	10.44	5.44	5.44	5.59	7.50	3.12	11.00	9.50	6	.88	9.50	6.00	.62	4.12	-	8
8	21.00	3.00	18.00	.38	12.75	6.88	6.88	7.72	10.12	4.19	13.50	11.75	8	.88	11.50	8.00	.62	5.12	2.56	16
10	25.00	3.50	21.50	.38	15.19	7.88	7.88	7.72	12.53	5.19	16.00	14.25	10	1.00	14.75	10.00	1.00	6.38	6.38	16
12	29.00	4.38	24.62	.38	17.38	8.88	8.88	7.72	14.94	6.19	19.00	17.00	12	1.00	16.75	12.00	1.00	7.38	3.69	16

SPECIFICATIONS ARE SUBJECT TO CHANGE WITHOUT NOTIFICATION

**NOTES:**

- VALVES ARE OF FABRICATED CONSTRUCTION AND AVAILABLE IN STEEL, ALUMINUM OR STAINLESS STEEL.
- VALVES ARE AVAILABLE WITH ROUND OR SQUARE FLANGED ENDS, OR PLAIN ENDS.
- RIGHT HANDS ASSEMBLY IS SHOWN WITH SIDE BRANCH 'Z' ON LEFT SIDE AND ACTUATOR ON NEAR SIDE. LEFT HAND ASSEMBLY IS WITH SIDE BRANCH 'Z' ON RIGHT SIDE AND ACTUATOR ON NEAR SIDE. (RIGHT HAND ASSEMBLY IS STANDARD)

GENERAL TOLERANCES	
UNLESS OTHERWISE SPECIFIED THE FOLLOWING SHALL APPLY	
MACHINING - .XX= .02 .XXX= .005 ANGLE= .50°	
SURFACE ROUGHNESS HEIGHT 63 MICRONS OR LESS	
FABRICATION - UNDER 6 6 TO 24 24 TO 60 OVER 60	
± .06 ± .12 ± .19 ± .25	
UNLESS OTHERWISE SPECIFIED DIMENSIONS ARE IN INCHES	

REV. NO.	DESCRIPTION	DATE	BY
REVISIONS			
CUSTOMER			
CUST. NO.			
YOUNG ORDER NO.			
TITLE			
YOUNG INDUSTRIES MODEL 'TDV' BLADE DIVERTER VALVE, 45 DEGREE, W/ PNEUMATIC ACTUATOR, STANDARD DIMENSION SHEET			
<b>THE YOUNG INDUSTRIES, INC.</b> MUNICIPALITY, PENNSYLVANIA 17756 TELEPHONE: 570-546-3165			
DRAWN BY: BMF	DATE DRAWN: 4/14/16		
CHECKED BY:	SCALE: 1:3		
DRAWING NUMBER	S-4-6871		REV: