

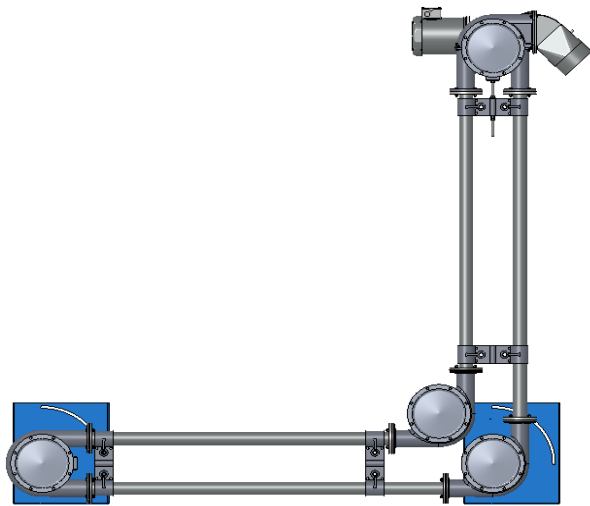
**Configurations:**



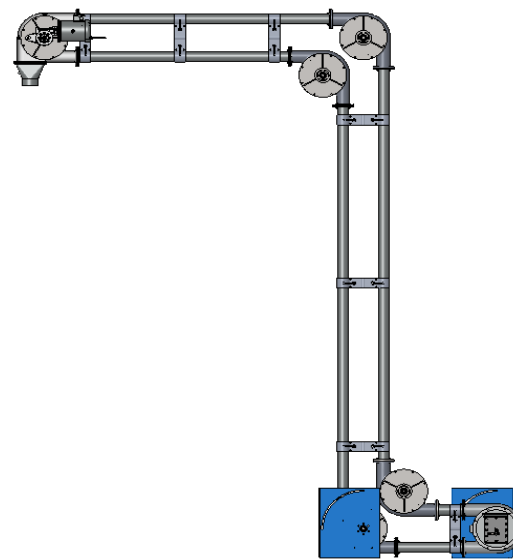
**Model SL**



**Model VH**



**Model HV**



**Model HVH**

	Size	
	3"	4"
<b>Capacity</b>	Up to 500 FT <sup>3</sup> /HR	Up to 1000 FT <sup>3</sup> /HR
<b>Inlet Options</b>	Gravity, Vibratory, Transflow® Lined	
<b>Material of Construction</b>		
<b>Housings</b>	Aluminum, Stainless Steel	
<b>Sprockets</b>	Carbon Steel, Stainless Steel	
<b>Tubes</b>	Carbon Steel, Stainless Steel	
<b>Tube Clamps</b>	Aluminum, Stainless Steel	
<b>Shafts</b>	Carbon Steel, Stainless Steel	
<b>Rope</b>	Stainless Steel, Galvanized Carbon Steel, Nylon Coated Stainless Steel, Nylon Coated Galvanized Steel	
<b>Discs</b>	Polyurethane, Nylon, Static Dissipating Nylon, Metal Detectable Nylon	
<b>Bosses</b>	Nylon, Static Dissipating Nylon, Metal Detectable Nylon	
<b>Seals</b>	Buna-N, Viton, Silicone	
<b>Maximum Center Distance</b>	40 FT	
<b>Minimum Outlet Size</b>	6.00" OD	8.00" OD
<b>Motor HP</b>	3	
<b>Motor Voltage</b>	Three Phase, 230/460VAC	
<b>Motor Enclosures</b>	General Purpose, Explosion Proof	